

ELECTRICAL DRAWINGS
OF
NEPAL ELECTRICITY
AUTHORITY BUILDING
AT
HATTIGAUDA, KATHMANDU

SUBMITTED BY:

SUBMITTED TO:



PYRAMID DESIGN ASSOCIATES PVT. LTD.

Engineers, Architects, Planners & Valuers

Shankhadharchowk Thimi, Bhaktapur

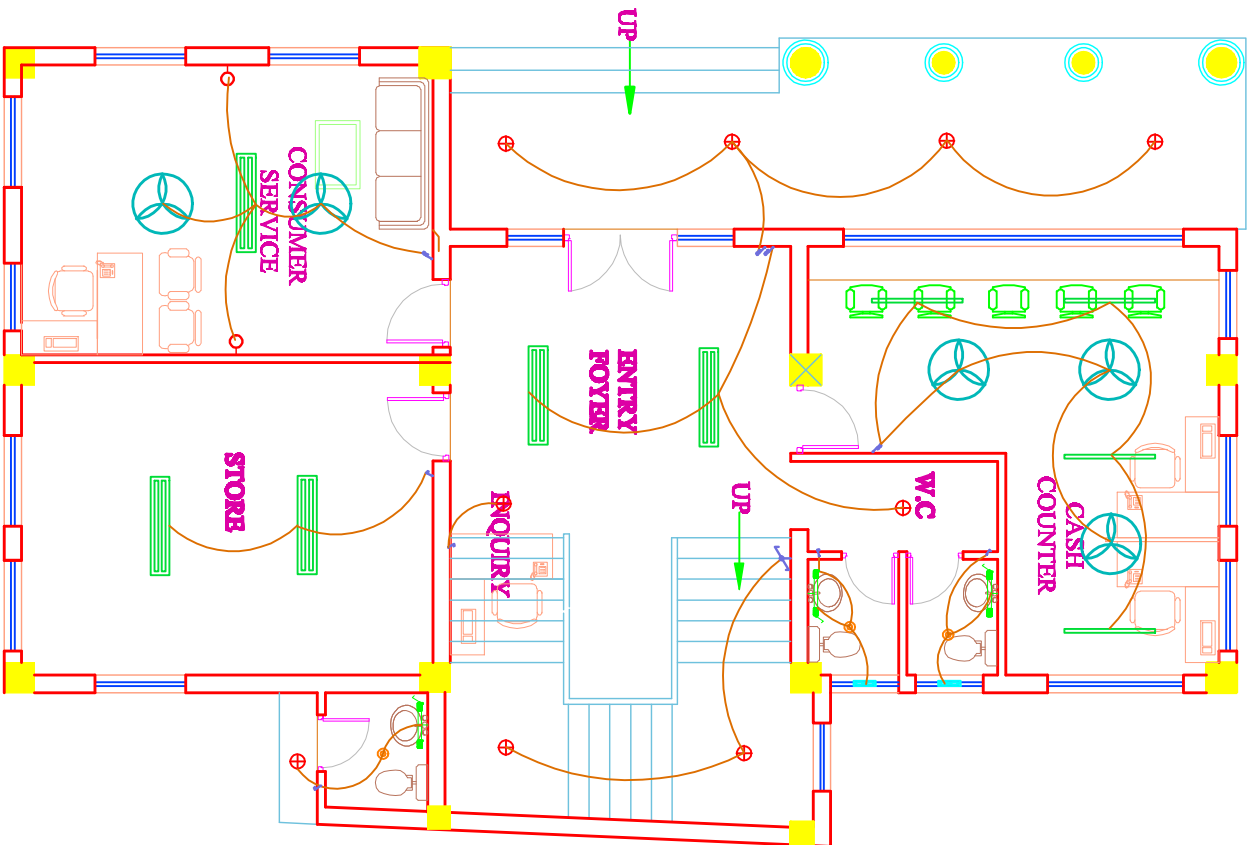
C. Address : Maitighar, Kathmandu

Ph. No: 4239772, 9851072198

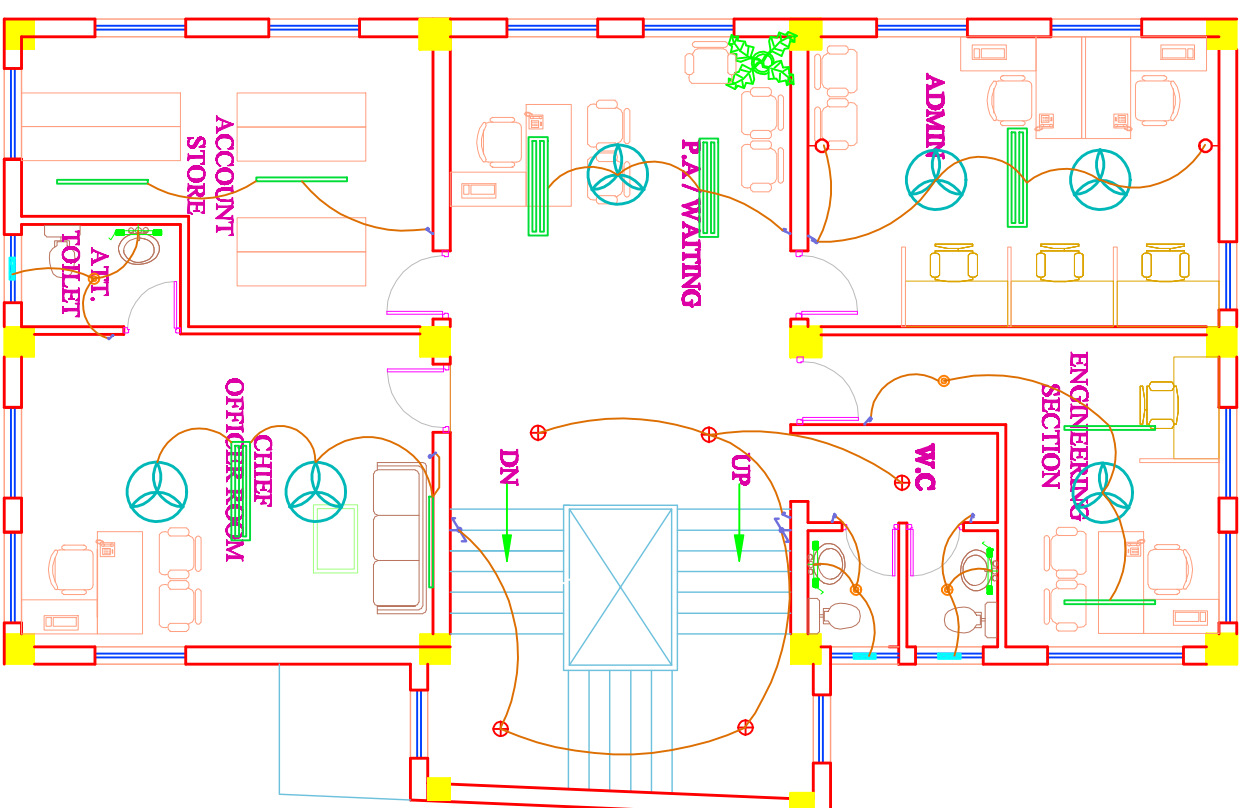
NEPAL ELECTRICITY AUTHORITY

HATTIGAUDA, KATHMANDU

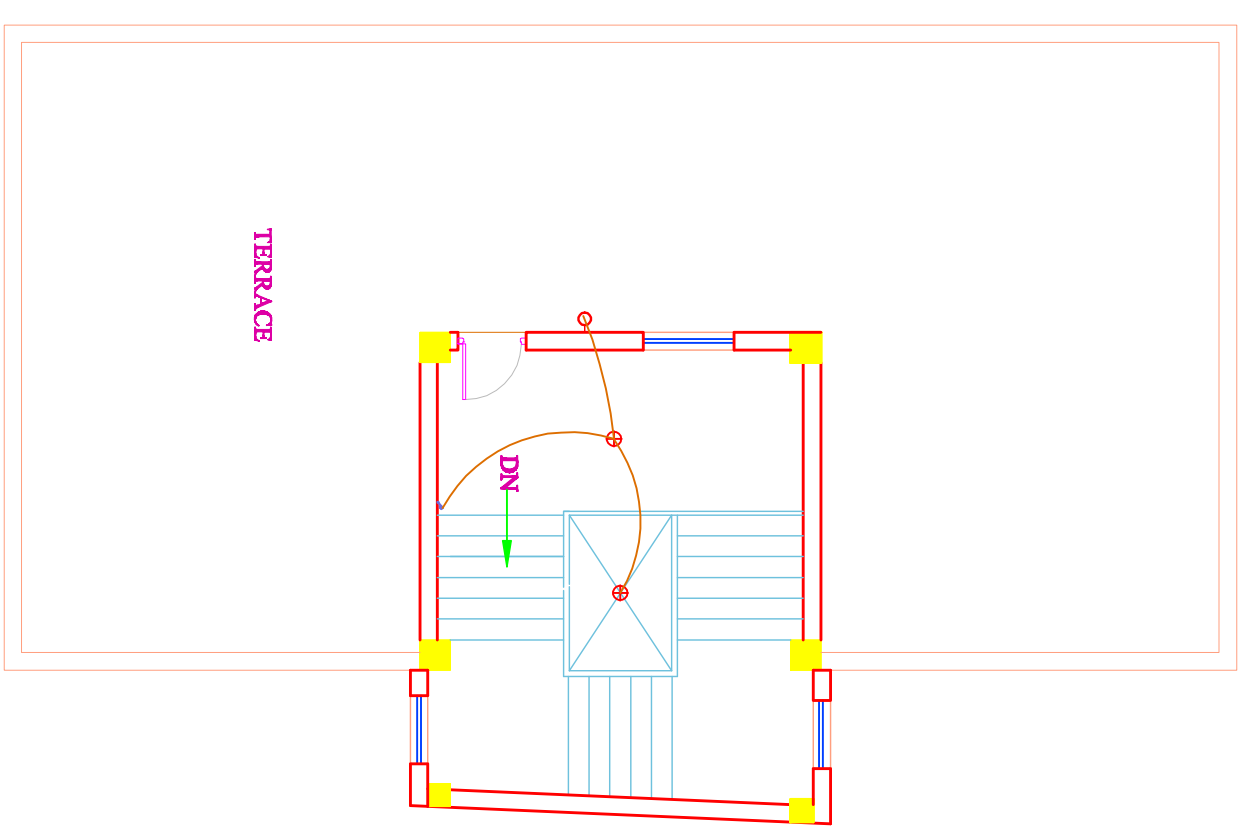
NEPAL



GROUND FLOOR PLAN
AREA:148.8 sq. m.



FIRST FLOOR PLAN
AREA:148.8 sq. m.



TOP FLOOR PLAN



PYRAMID DESIGN ASSOCIATES
Engineers, Architects, Planners & Valuers
Maitighar, Kathmandu
4239772, 9851072198

**NEPAL ELECTRICITY AUTHORITY
BUILDING**
HATTIGAUDA, KATHMANDU

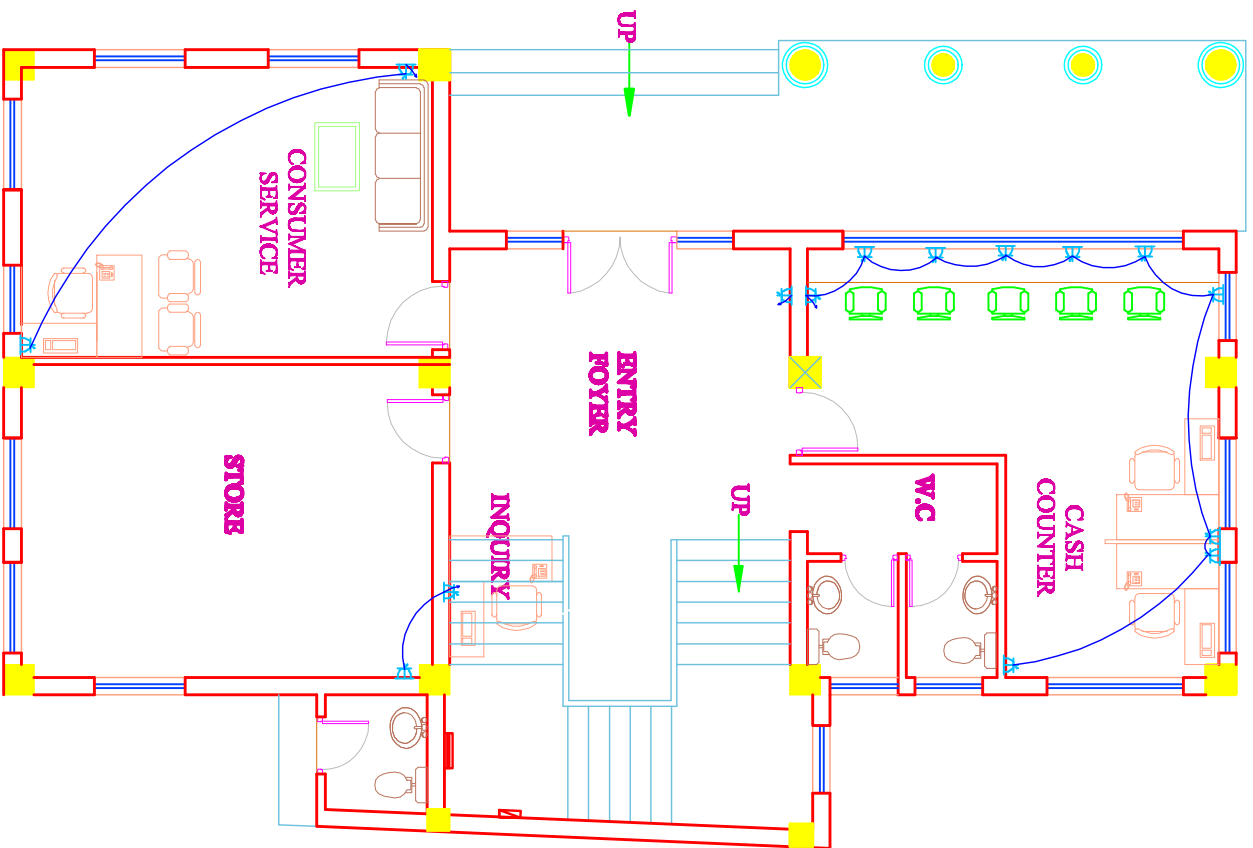
REV.	DATE	DESCRIPTION OF REVISION	APPROVED BY
D			
C			
B			
A			

Designed by :
Drawn by :
Checked by :
Approved by :

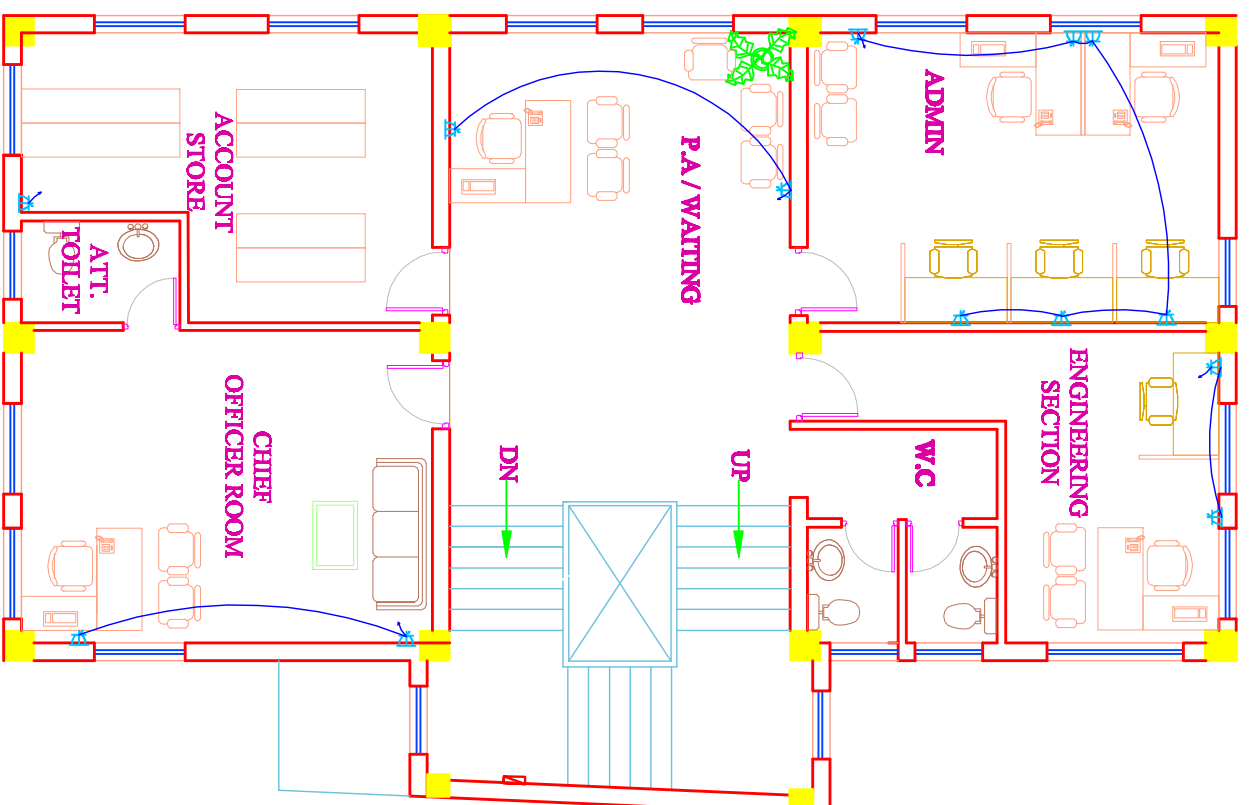
Scale - 1:100
DATE 20/09/2019

**ELECTRICAL DRAWING
LIGHTS AND SWITCHES
LAYOUT PLAN**

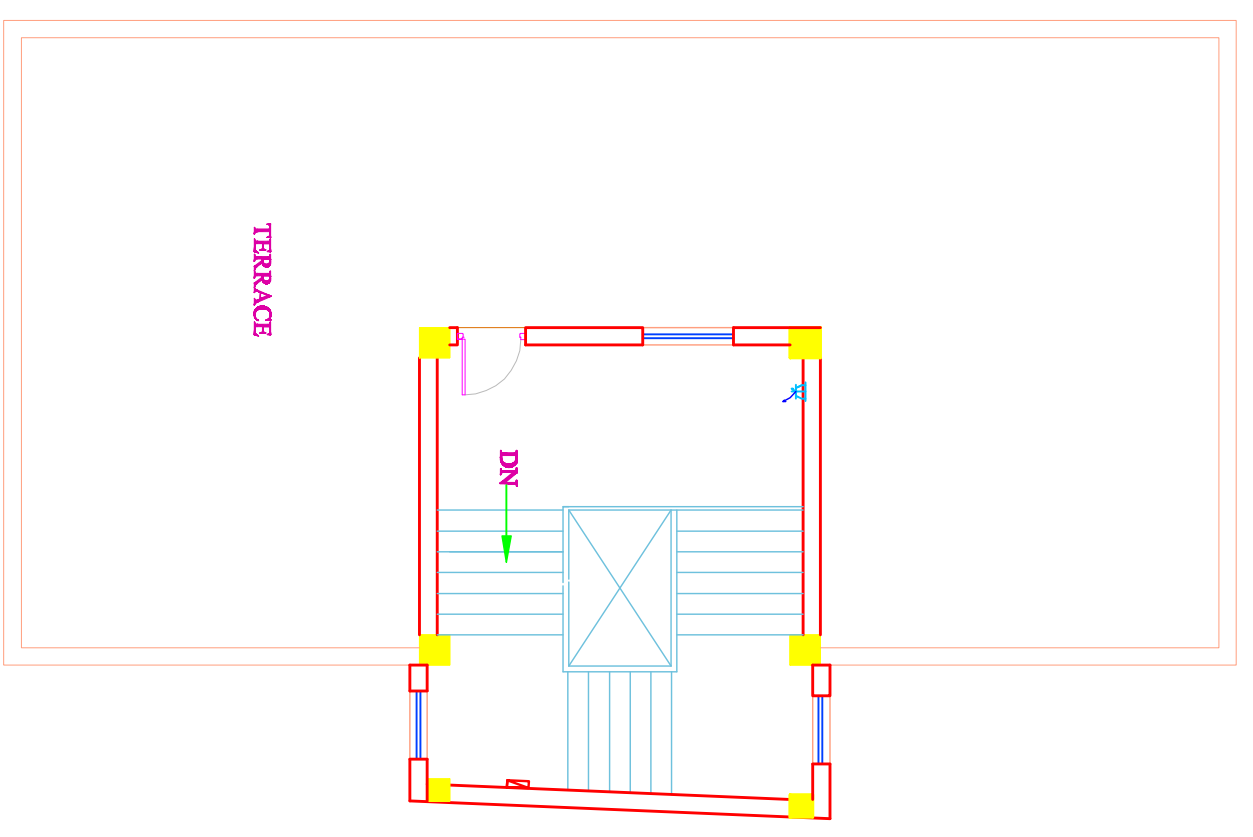
DWG NO :
SHEET NO : NEA/ELE/01
PAGE NO : 01/04



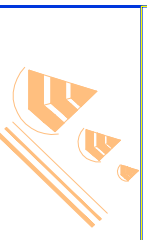
GROUND FLOOR PLAN
 AREA:148.8 sq. m.



FIRST FLOOR PLAN
 AREA:148.8 sq. m.



TOP FLOOR PLAN



PYRAMID DESIGN ASSOCIATES
 Engineers, Architects, Planners & Valuers
 Mathighar, Kathmandu
 4239772, 9851072198

NEPAL ELECTRICITY AUTHORITY
 BUILDING
 HATTIGAUDA, KATHMANDU

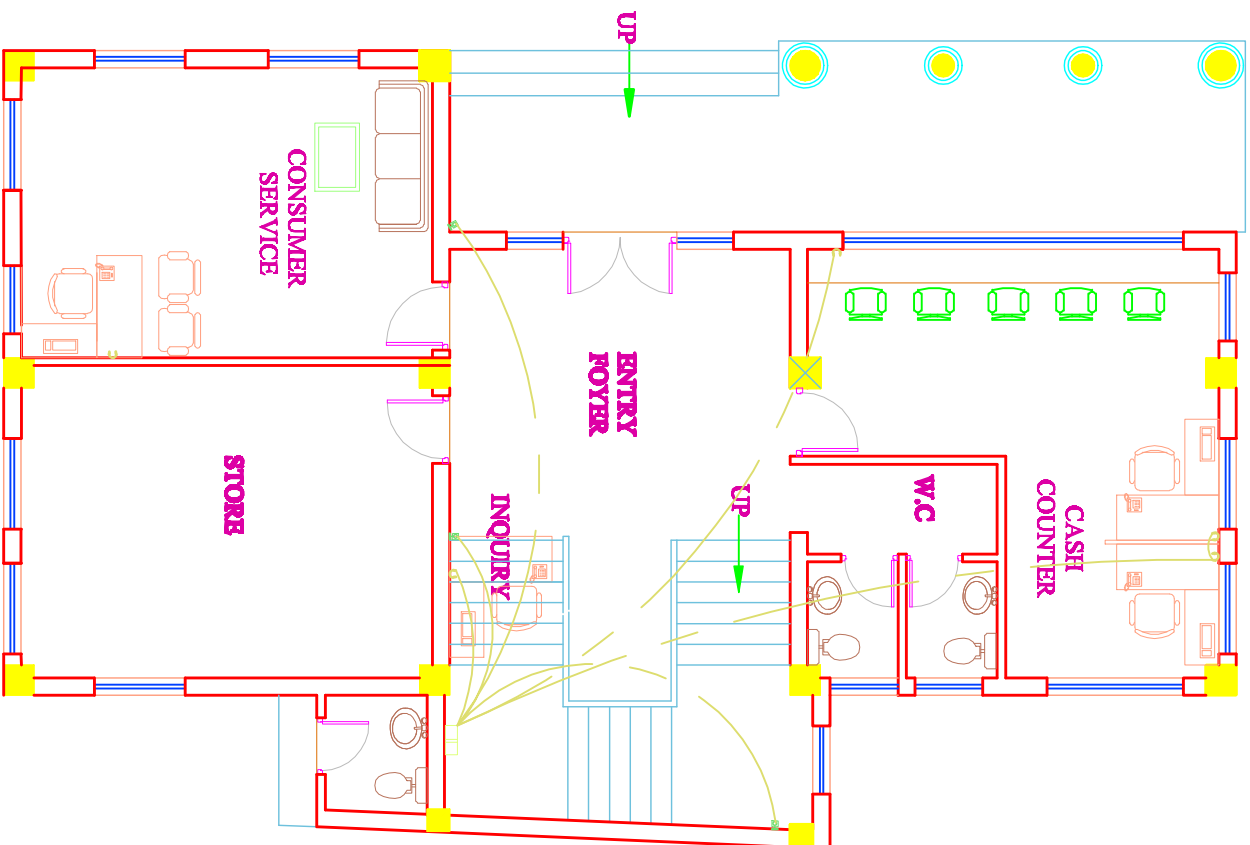
D	REV.	DATE	DESCRIPTION OF REVISION	APPROVED BY
C	A			
B				
A				

Designed by :
 Drawn by :
 Checked by :
 Approved by :

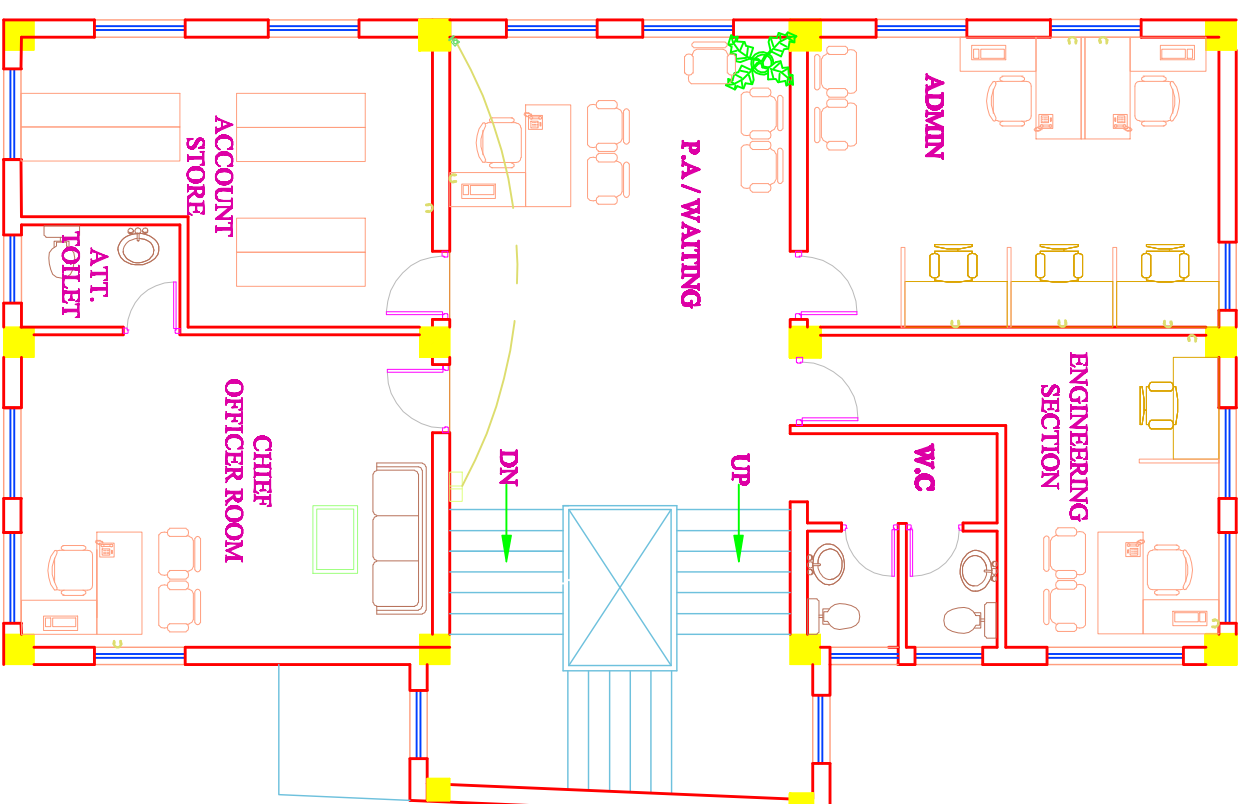
Scale - 1:100
 DATE: 2018

ELECTRICAL DRAWING
POWER SOCKET
LAYOUT PLAN

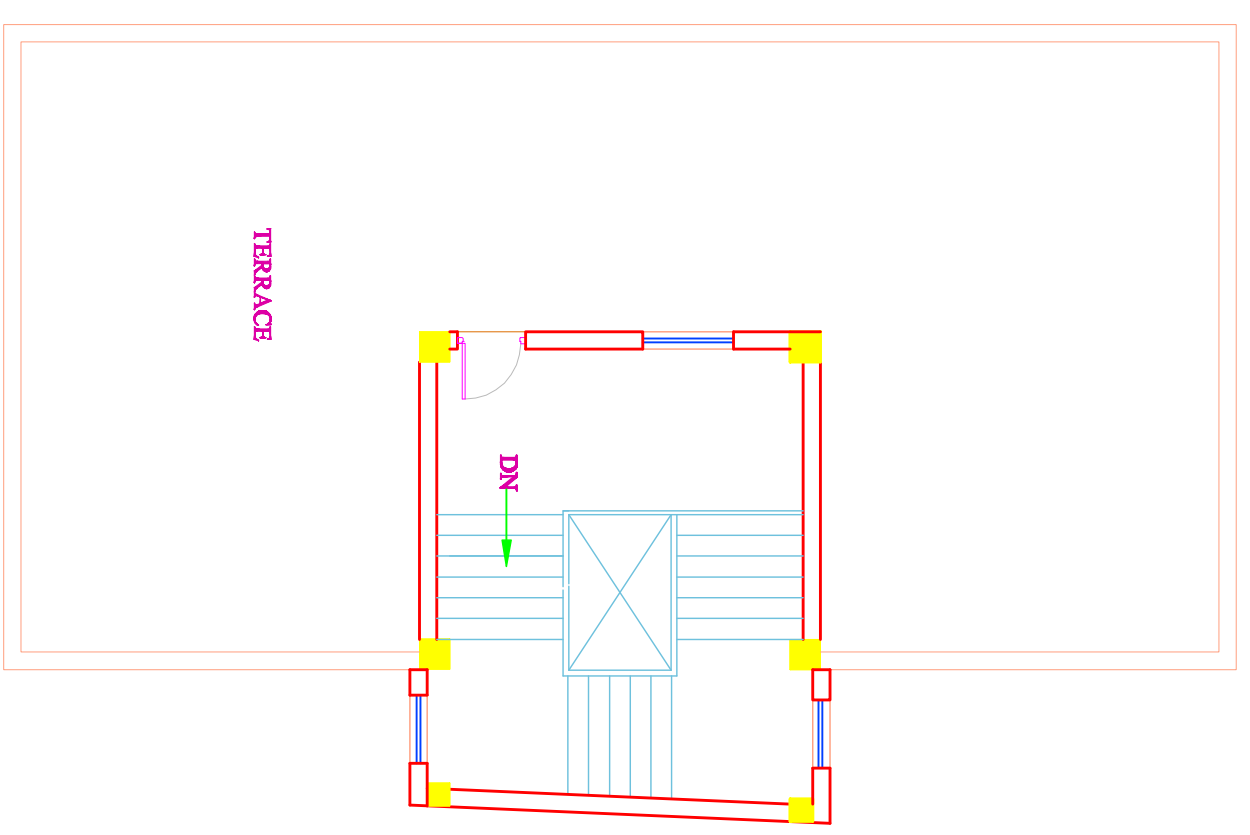
DWG NO :
 SHEET NO : NEAR/ELR2
 PAGE NO : 02/04



GROUND FLOOR PLAN
ARBA:148.8 sq. m.



FIRST FLOOR PLAN
ARBA:148.8 sq. m.



TOP FLOOR PLAN



PYRAMID DESIGN ASSOCIATES
Engineers, Architects, Planners & Valuers
Maitighar, Kathmandu
4239772, 9851072198

NEPAL ELECTRICITY AUTHORITY
BUILDING
HATTIGAUDA, KATHMANDU

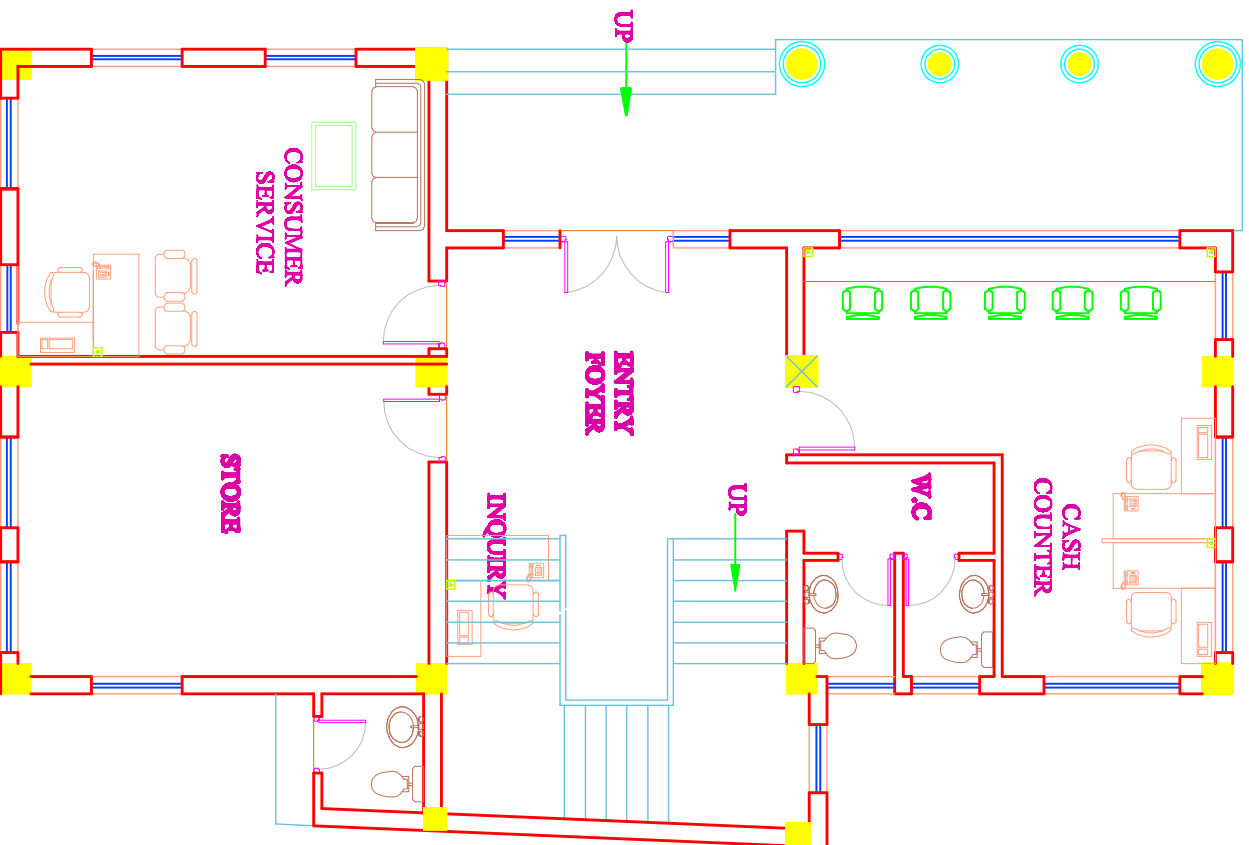
REV.	DATE	DESCRIPTION OF REVISION	APPROVED BY
D			
C			
B			
A			

Designed by :
Drawn by :
Checked by :
Approved by :

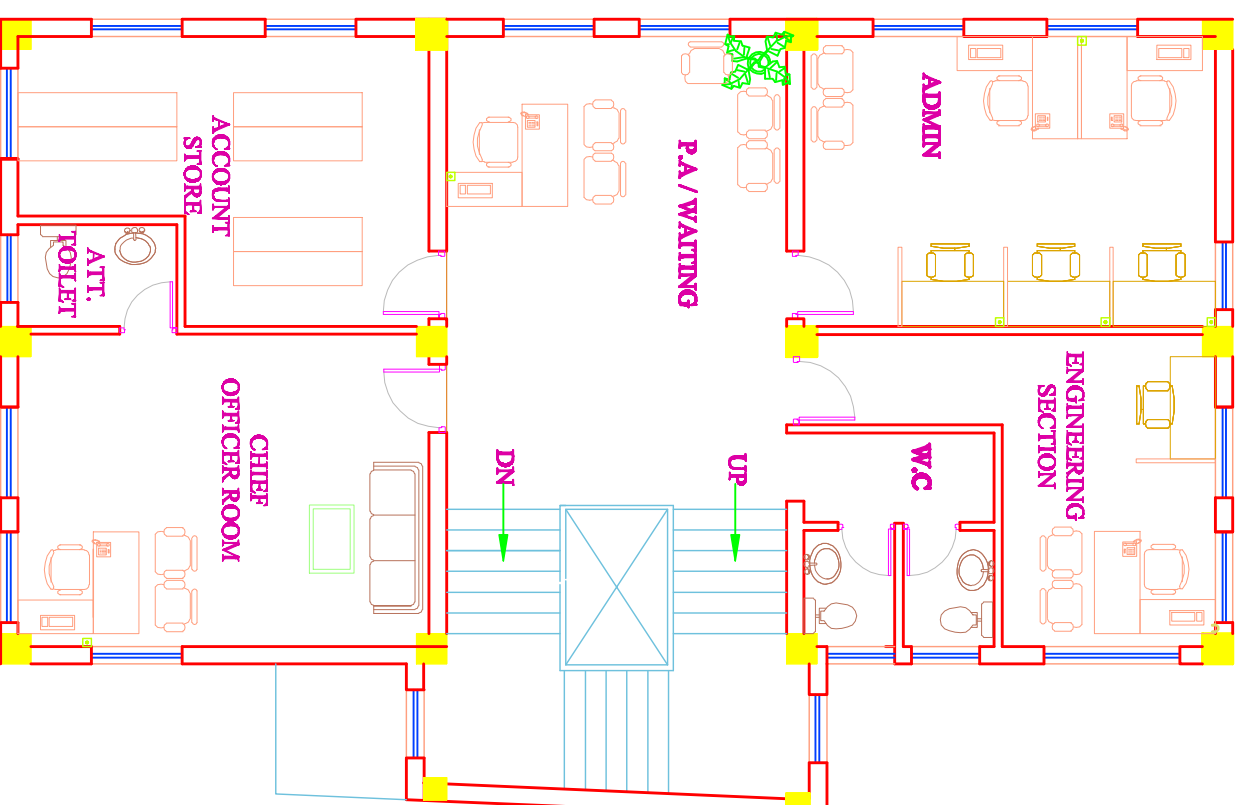
Scale - 1:100
DATE: 2018

ELECTRICAL DRAWING
TELEPHONE AND CCTV LAYOUT PLAN

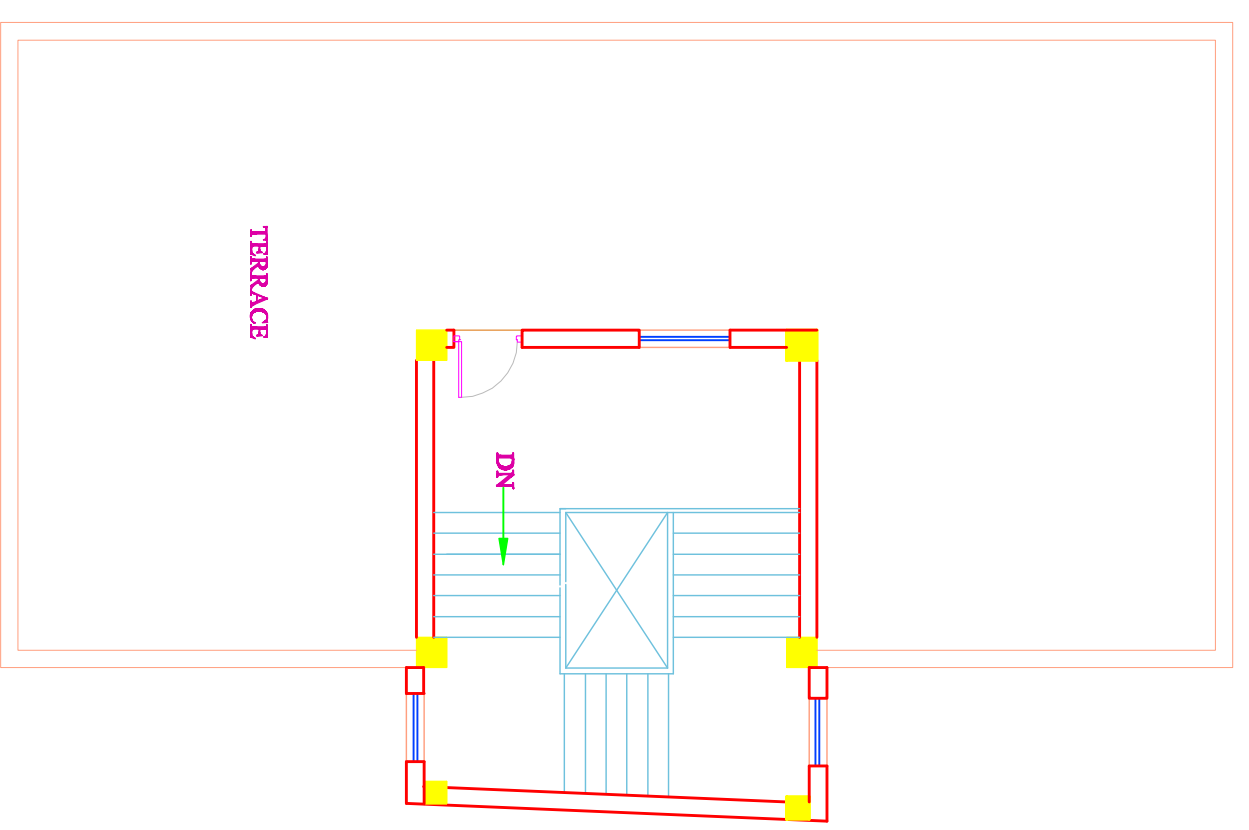
DWG NO :
SHEET NO : NEWELERS
PAGE NO : 03 / 04



GROUND FLOOR PLAN
AREA:148.8 sq. m.



FIRST FLOOR PLAN
AREA:148.8 sq. m.



TOP FLOOR PLAN



PYRAMID DESIGN ASSOCIATES
Engineers, Architects, Planners & Valuers
Mastighat, Kathmandu
4238772, 9851072198

**NEPAL ELECTRICITY AUTHORITY
BUILDING**
HATTIGAUDA, KATHMANDU

REV.	DATE	DESCRIPTION OF REVISION	APPROVED BY	DESIGNED BY
D				
C				
B				
A				

Scale - 1:100
DATE: 2019

ELECTRICAL DRAWING
LOCAL AREA NETWORK (LAN)
LAYOUT PLAN

DWG NO:
SHEET NO: NEA/ES/04
PAGE NO: 04/04