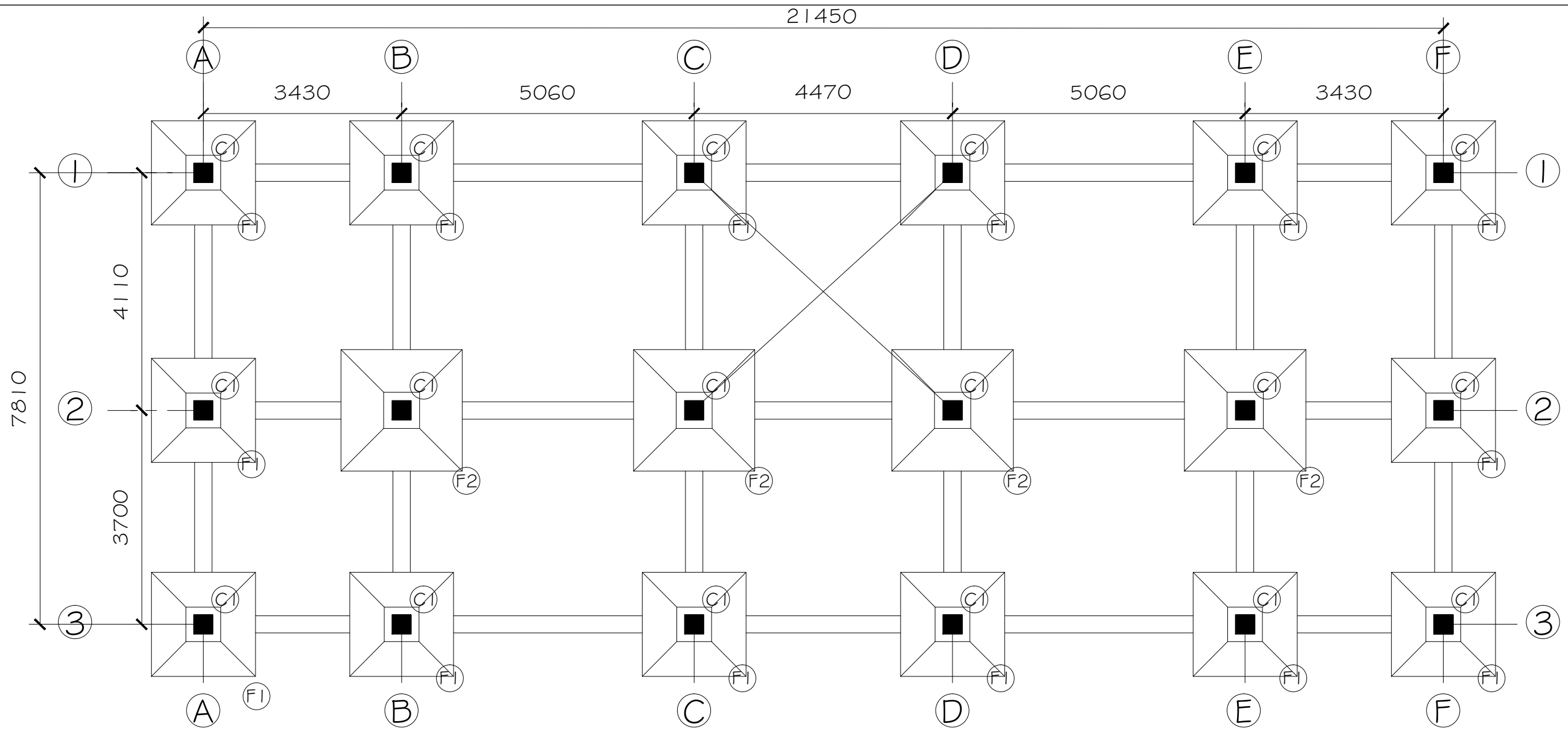


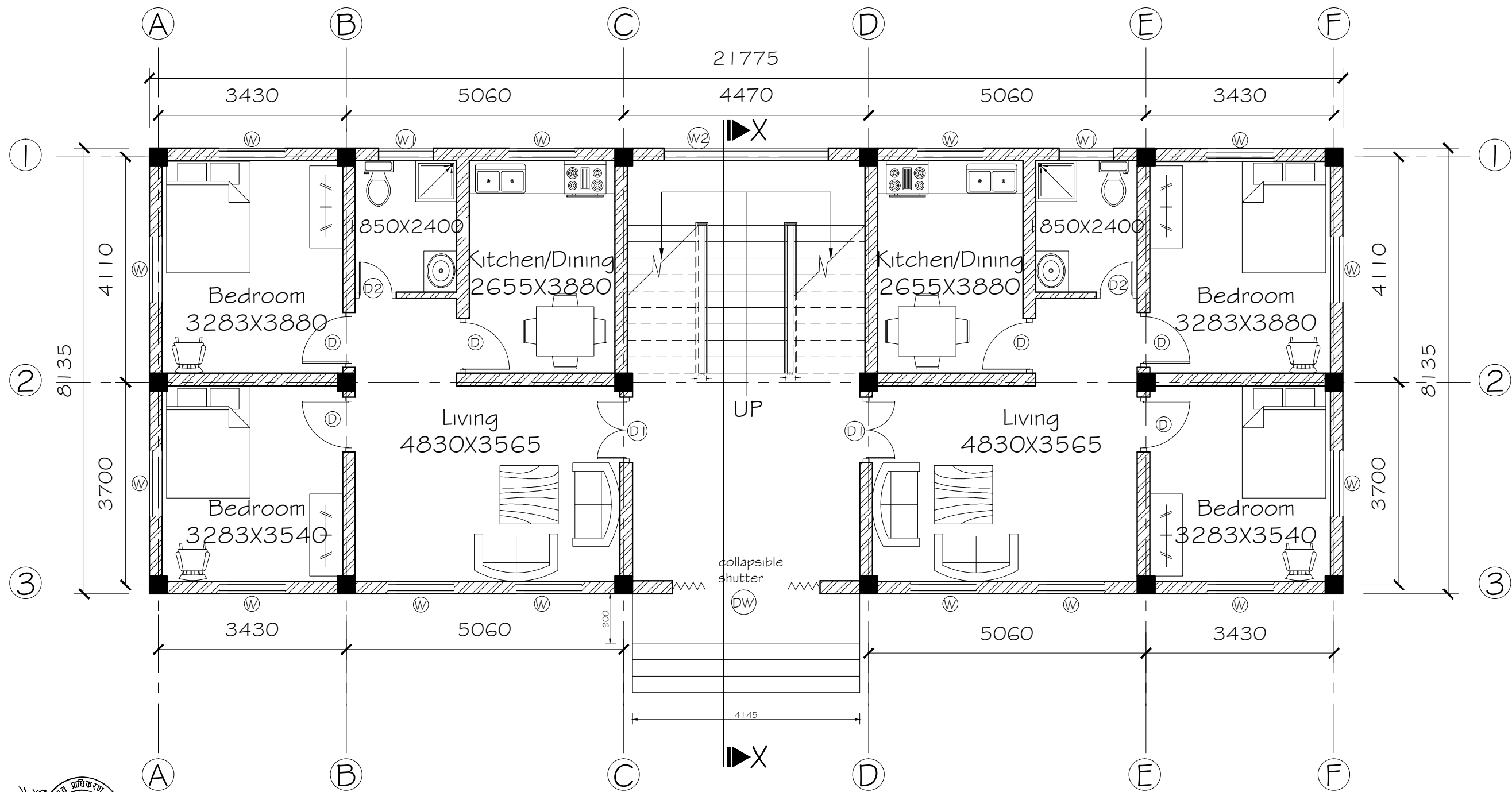
CLIENT: NEPAL ELECTRICITY AUTHORITY	TITLE: GENERAL LAYOUT	DRAWN BY:	APPROVED BY:	DWG NO:
PROJECT: HETAUDA-DHALKEBAR-INARUWA 400 KV SUBSTATION EXPANSION PROJECT	WORK NAME: CONSTRUCTION OF 3 STOREY STAFF QUARTER BUILDING			



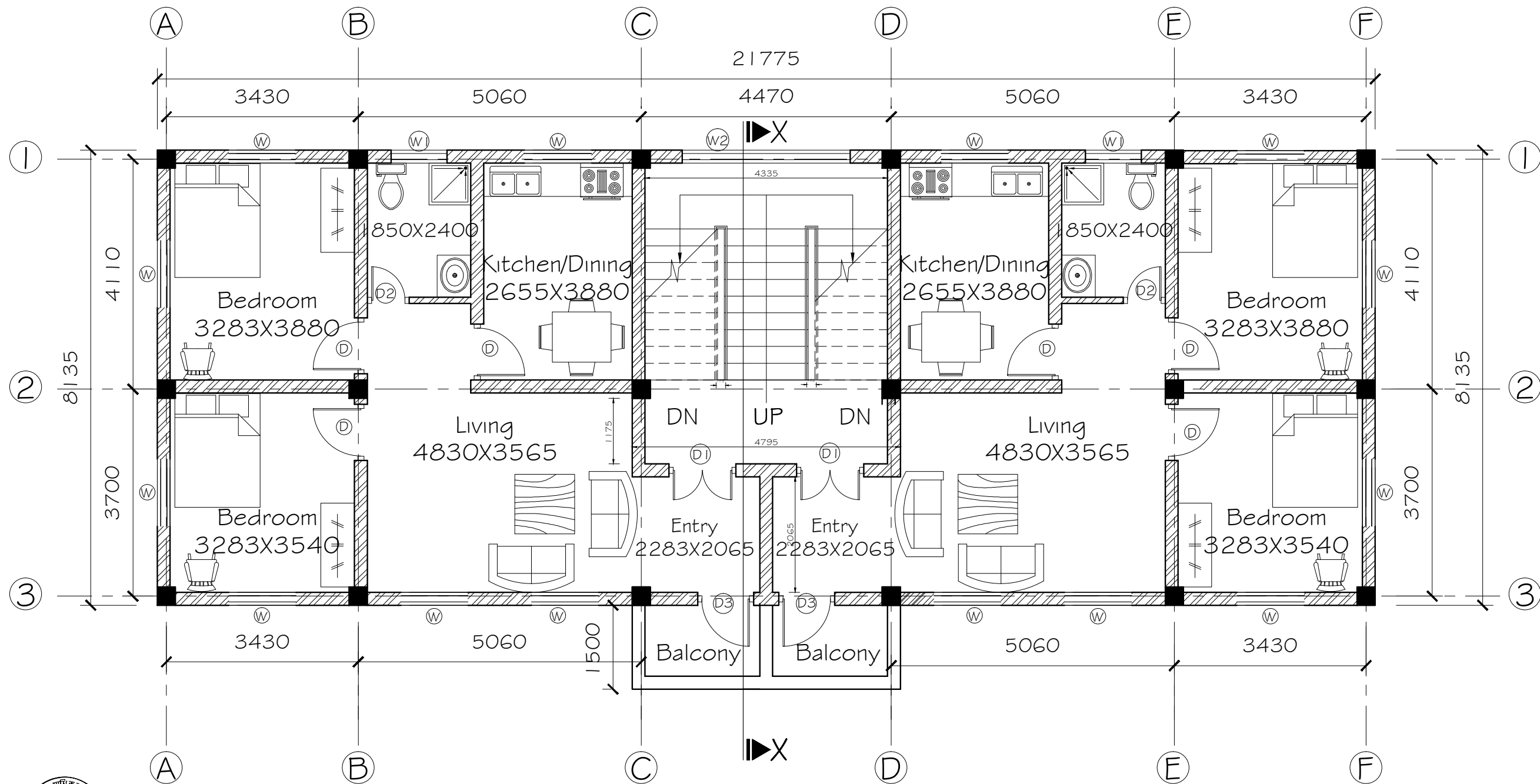
Foundation Plan  
(Scale - 1:120)



CLIENT: NEPAL ELECTRICITY AUTHORITY	TITLE: FOUNDATION PLAN	DRAWN BY:	APPROVED BY:	SCALE:-1:100 ALL DIMENSION ARE IN MM	DWG NO:
PROJECT: HETAUDA-DHALKEBAR-INARUWA 400 KV SUBSTATION EXPANSION PROJECT	WORK NAME: CONSTRUCTION OF 3 STOREY STAFF QUARTER BUILDING				



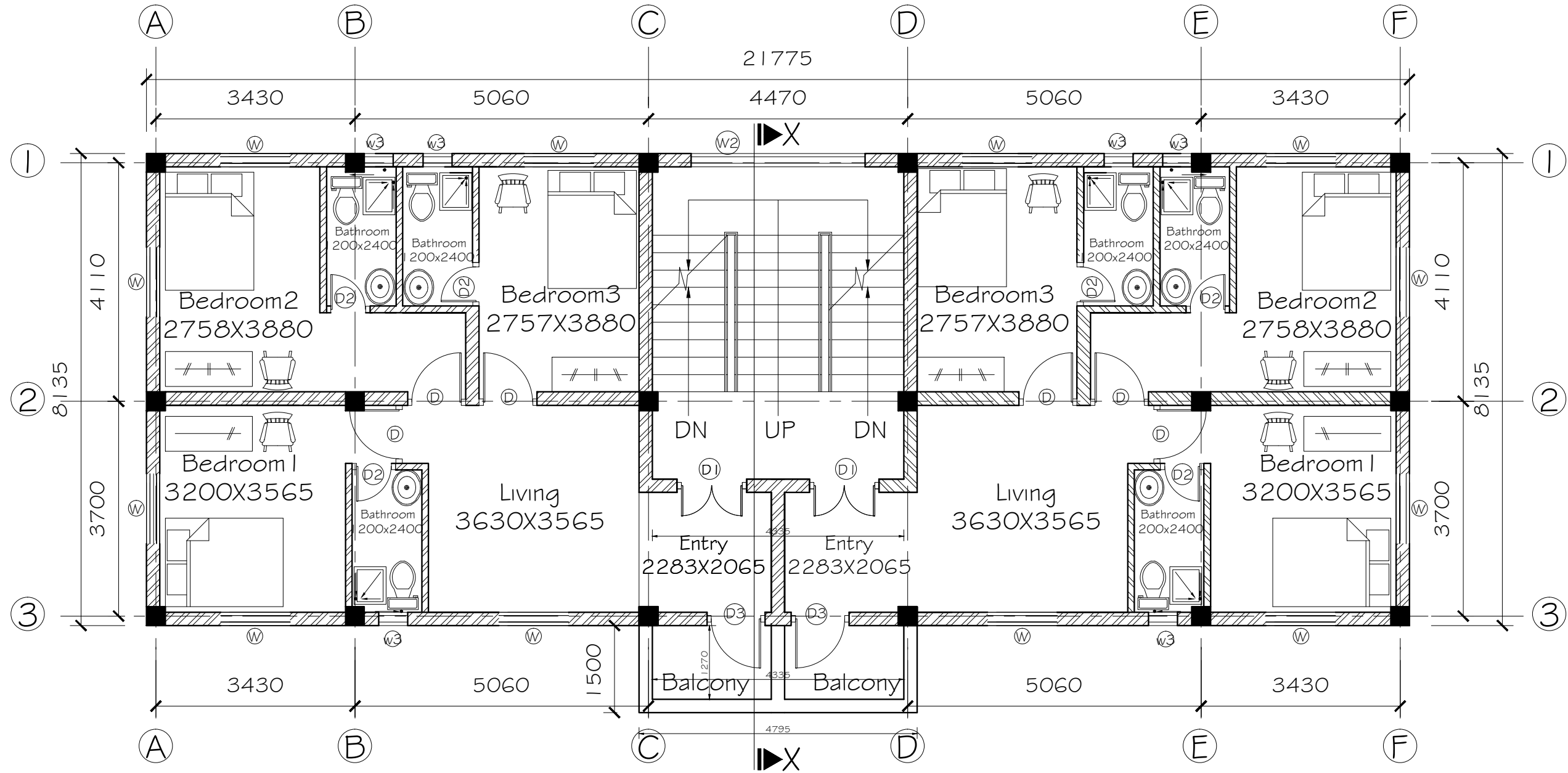
<p>CLIENT: NEPAL ELECTRICITY AUTHORITY</p>	<p>TITLE: GROUND FLOOR PLAN</p>	<p>DRAWN BY:</p>	<p>APPROVED BY:</p>	<p>SCALE:-1:100 ALL DIMENSION ARE IN MM</p>	<p>DWG NO:</p>
<p>PROJECT: HETAUDA-DHALKEBAR-INARUWA 400 KV SUBSTATION EXPANSION PROJECT</p>	<p>WORK NAME: CONSTRUCTION OF 3 STOREY STAFF QUARTER BUILDING</p>				



First Floor Plan



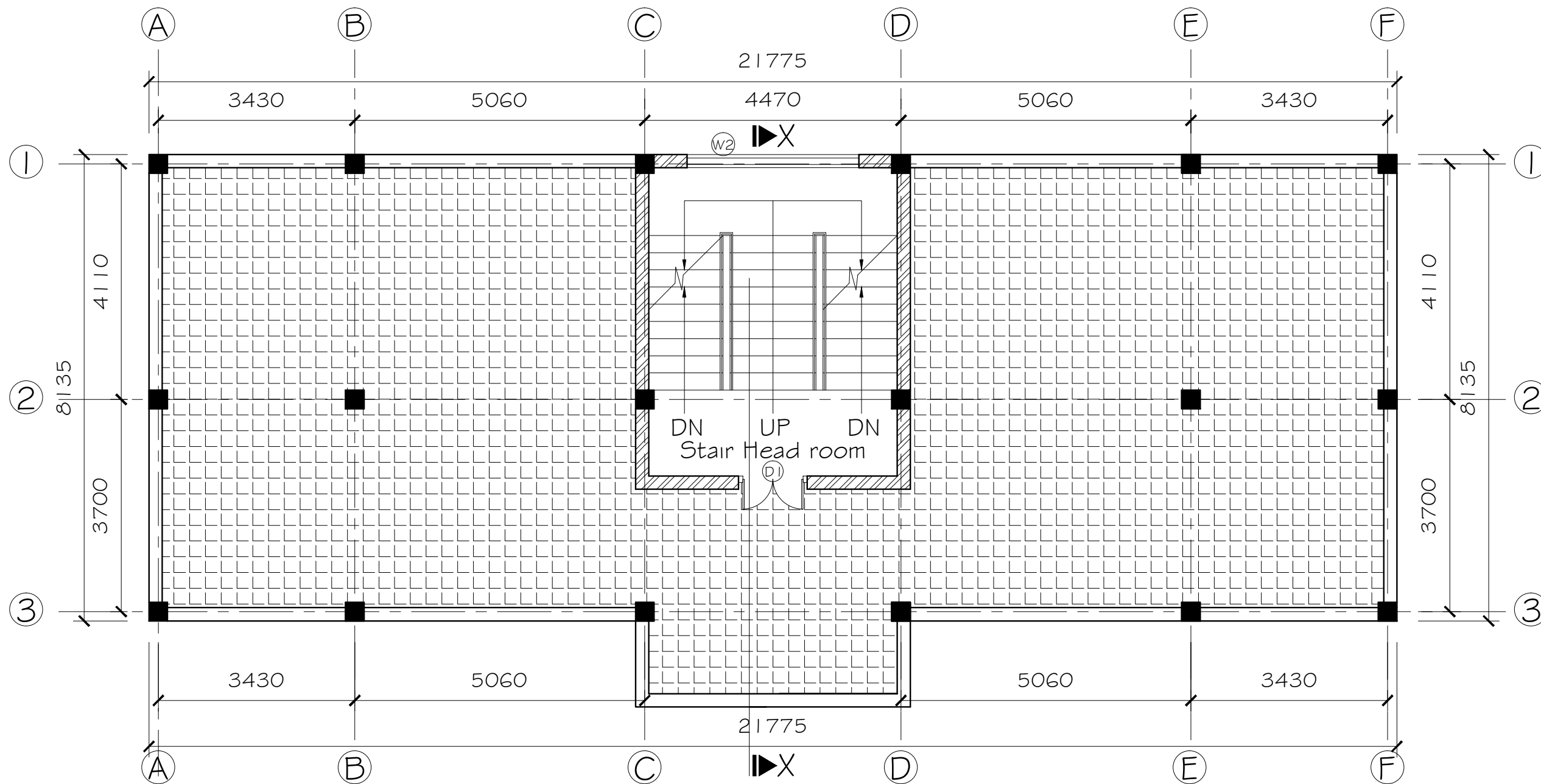
<p>CLIENT: NEPAL ELECTRICITY AUTHORITY</p>	<p>TITLE: FIRST FLOOR PLAN</p>	<p>DRAWN BY:</p>	<p>APPROVED BY:</p>	<p>SCALE:-1:100 ALL DIMENSION ARE IN MM</p>	<p>DWG NO:</p>
<p>PROJECT: HETAUDA-DHALKEBAR-INARUWA 400 KV SUBSTATION EXPANSION PROJECT</p>	<p>WORK NAME: CONSTRUCTION OF 3 STOREY STAFF QUARTER BUILDING</p>				



Second Floor Plan  
(Guest-House Area)



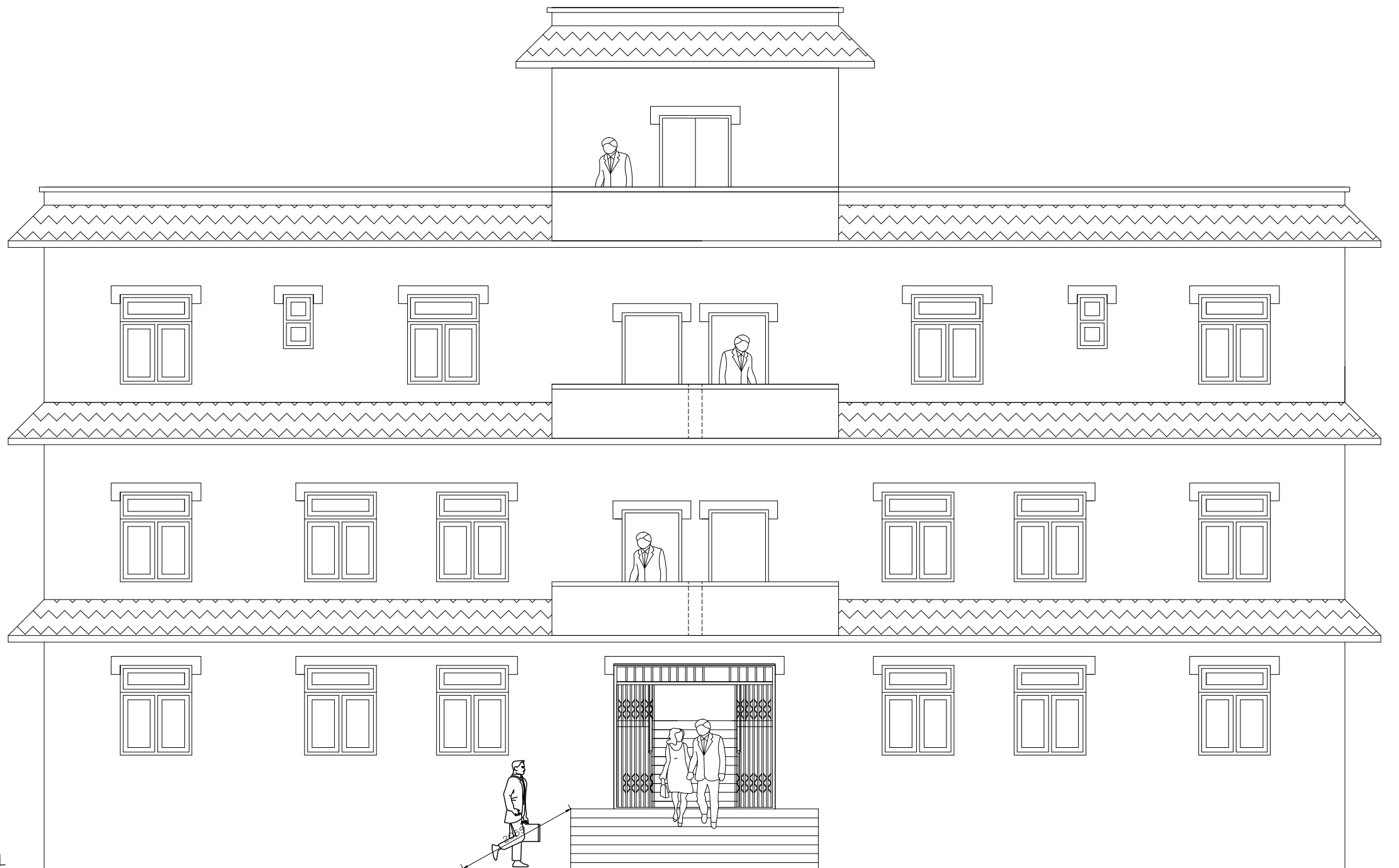
CLIENT: NEPAL ELECTRICITY AUTHORITY	TITLE: SECOND FLOOR PLAN	DRAWN BY:	APPROVED BY:	SCALE:-1:100 ALL DIMENSION ARE IN MM	DWG NO:
PROJECT: HETAUDA-DHALKEBAR-INARUWA 400 KV SUBSTATION EXPANSION PROJECT	WORK NAME: CONSTRUCTION OF 3 STOREY STAFF QUARTER BUILDING				



Top/Roof Plan

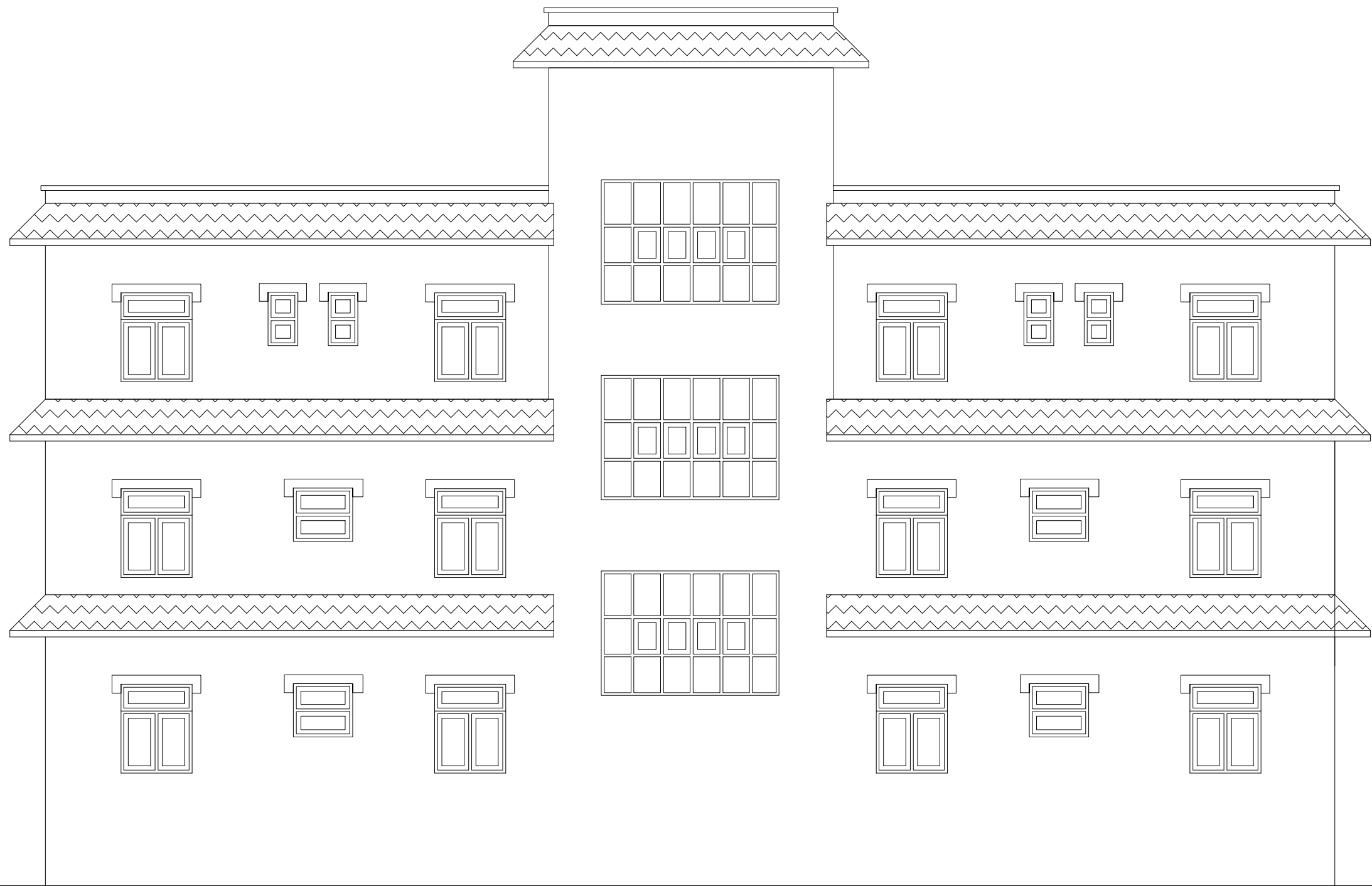


CLIENT: NEPAL ELECTRICITY AUTHORITY	TITLE: TOP/ROOF PLAN	DRAWN BY:	APPROVED BY:	SCALE:-1:100 ALL DIMENSION ARE IN MM	DWG NO:
PROJECT: HETAUDA-DHALKEBAR-INARUWA 400 KV SUBSTATION EXPANSION PROJECT	WORK NAME: CONSTRUCTION OF 3 STOREY STAFF QUARTER BUILDING				



Front Elevation

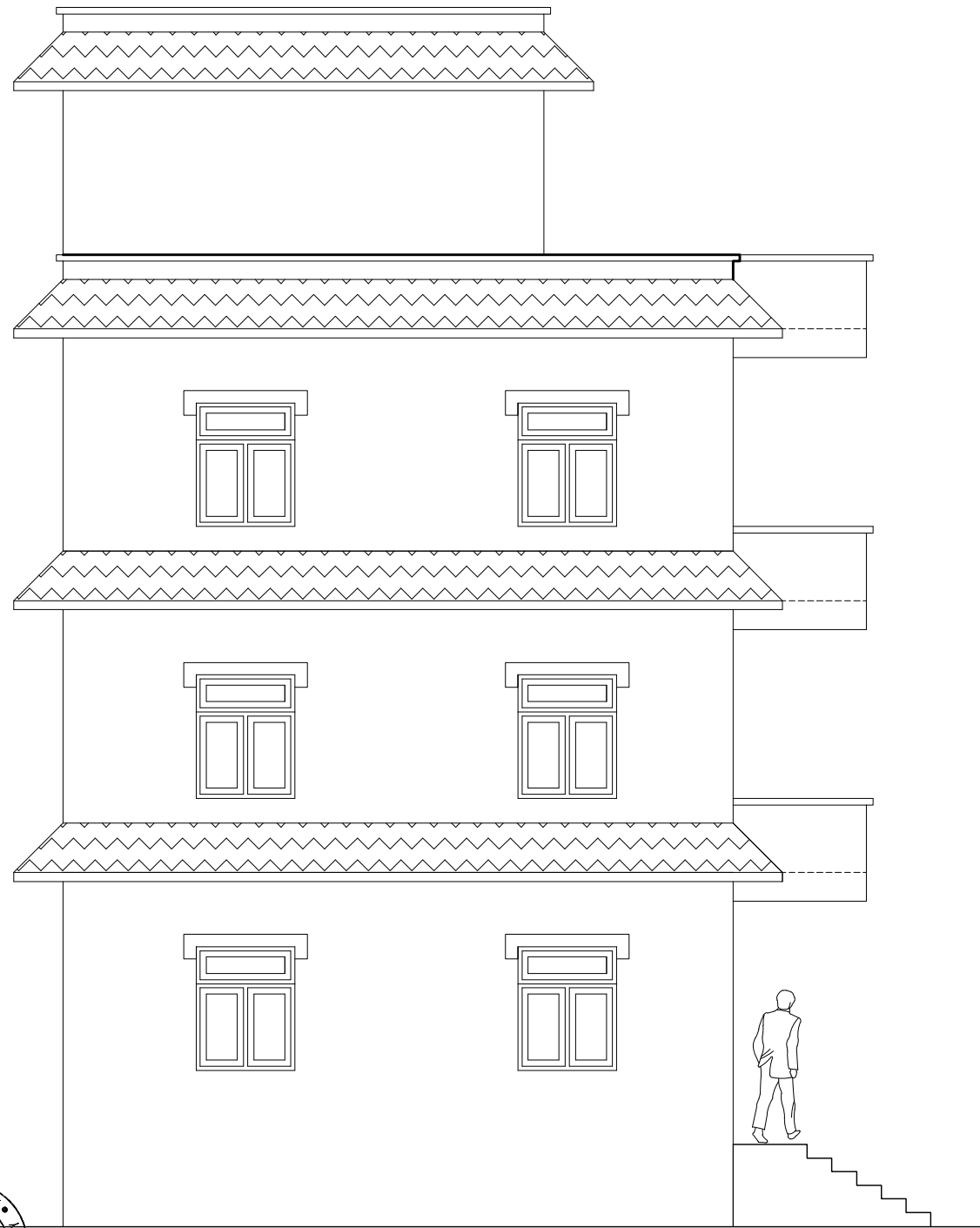
<p>CLIENT: NEPAL ELECTRICITY AUTHORITY</p>	<p>TITLE: FRONT ELEVATION</p>	<p>DRAWN BY:</p>	<p>APPROVED BY:</p>	<p>SCALE:-1:100 ALL DIMENSION ARE IN MM</p>	<p>DWG NO:</p>
<p>PROJECT: HETAUDA-DHALKEBAR-INARUWA 400 KV SUBSTATION EXPANSION PROJECT</p>	<p>WORK NAME: CONSTRUCTION OF 3 STOREY STAFF QUARTER BUILDING</p>				



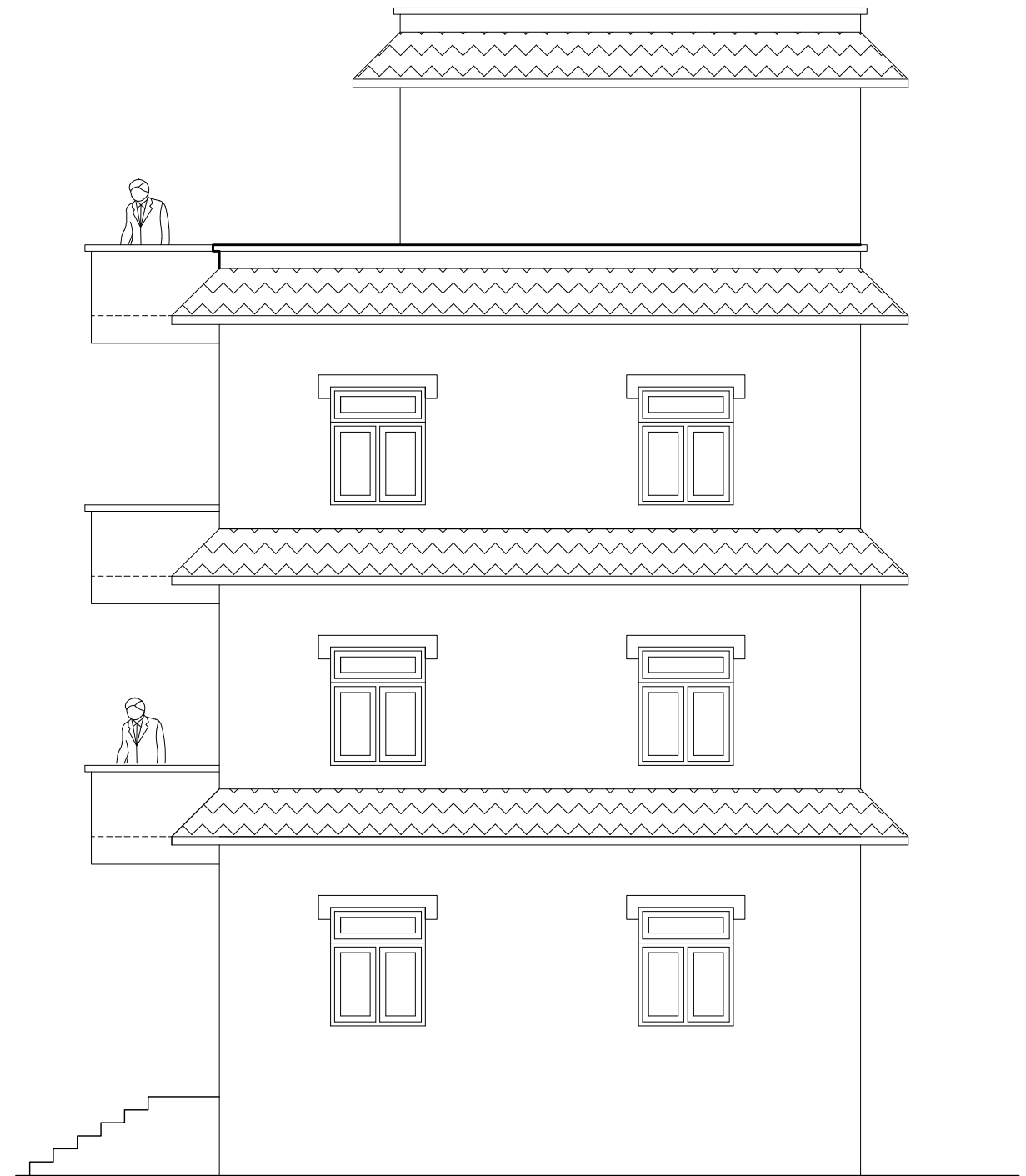
Back Elevation



<p>CLIENT: NEPAL ELECTRICITY AUTHORITY</p>	<p>TITLE: BACK ELEVATION</p>	<p>DRAWN BY:</p>	<p>APPROVED BY:</p>	<p>SCALE:-1:100 ALL DIMENSION ARE IN MM</p>	<p>DWG NO.:</p>
<p>PROJECT: HETAUDA-DHALKEBAR-INARUWA 400 KV SUBSTATION EXPANSION PROJECT</p>	<p>WORK NAME: CONSTRUCTION OF 3 STOREY STAFF QUARTER BUILDING</p>				



Left Side Elevation



Right Side Elevation



CLIENT:  
NEPAL ELECTRICITY AUTHORITY

TITLE: SIDES ELEVATION

DRAWN BY:

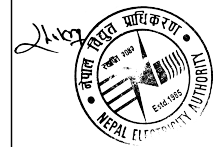
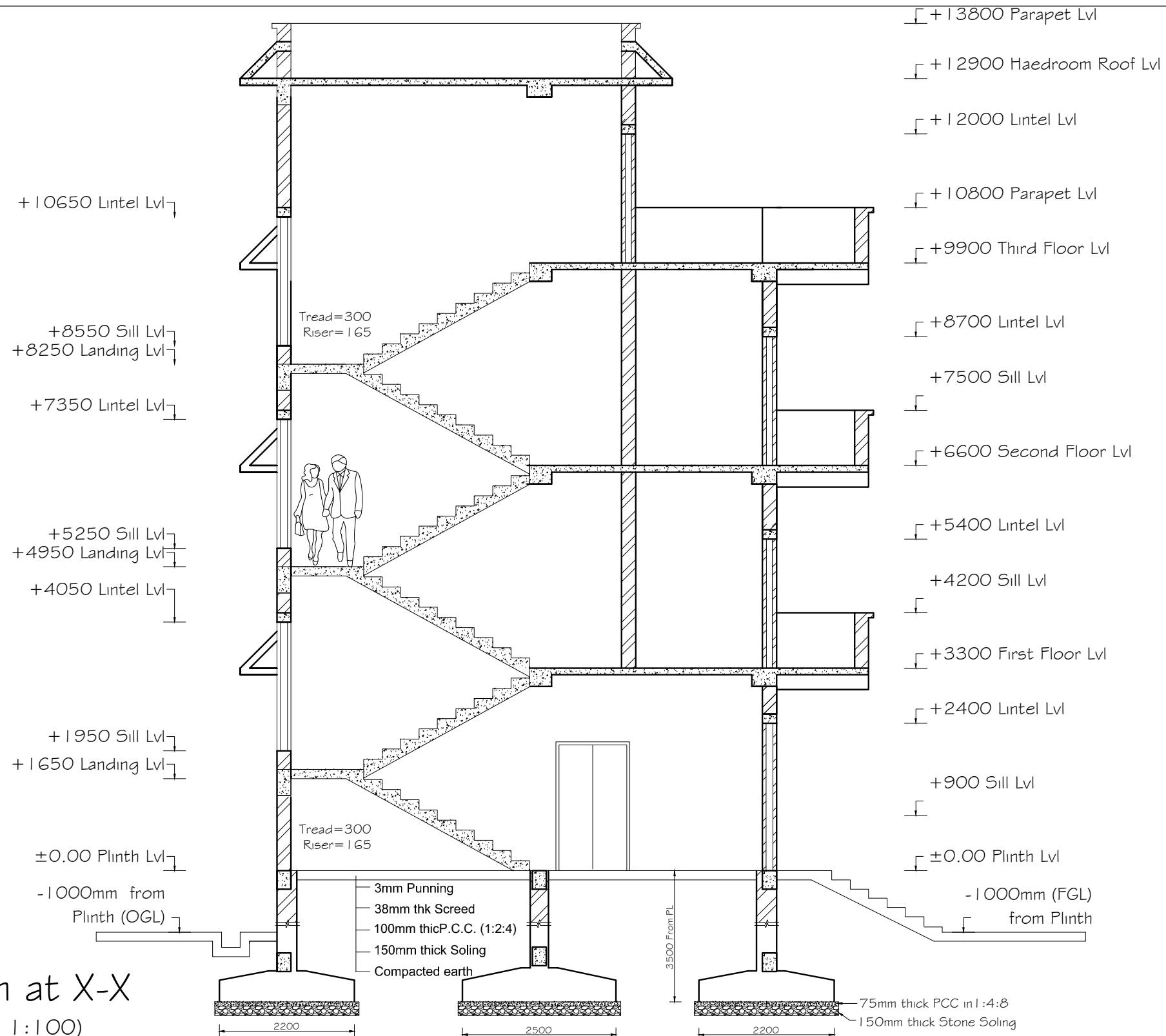
APPROVED BY:

PROJECT:  
HETAUDA-DHALKEBAR-INARUWA 400 KV  
SUBSTATION EXPANSION PROJECT

WORK NAME:  
CONSTRUCTION OF 3 STOREY STAFF  
QUARTER BUILDING

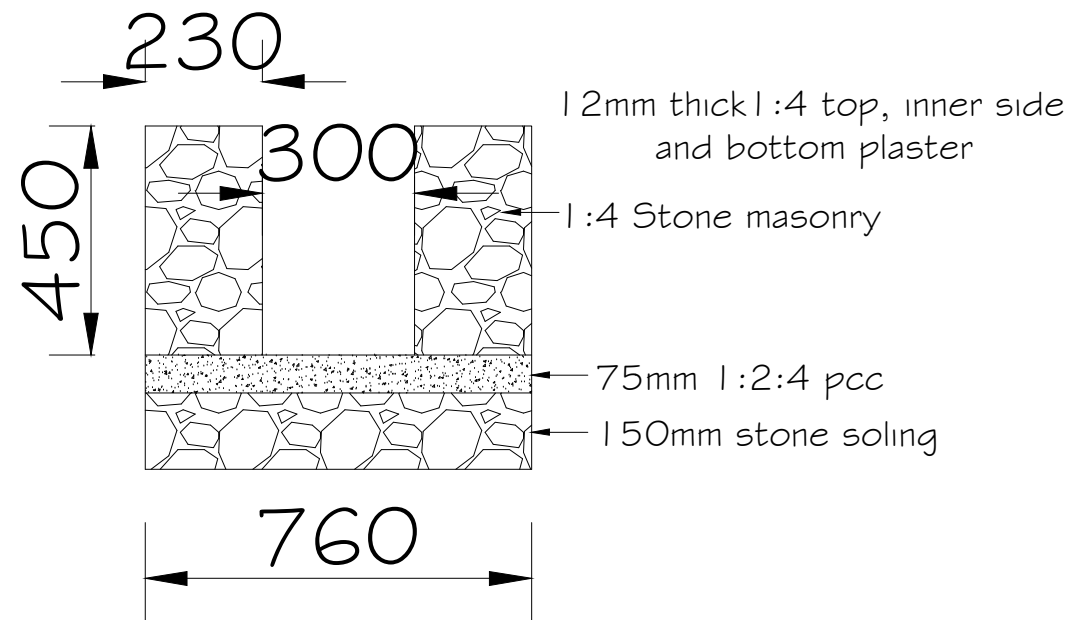
SCALE:-1:100  
ALL DIMENSION  
ARE IN MM

DWG NO:

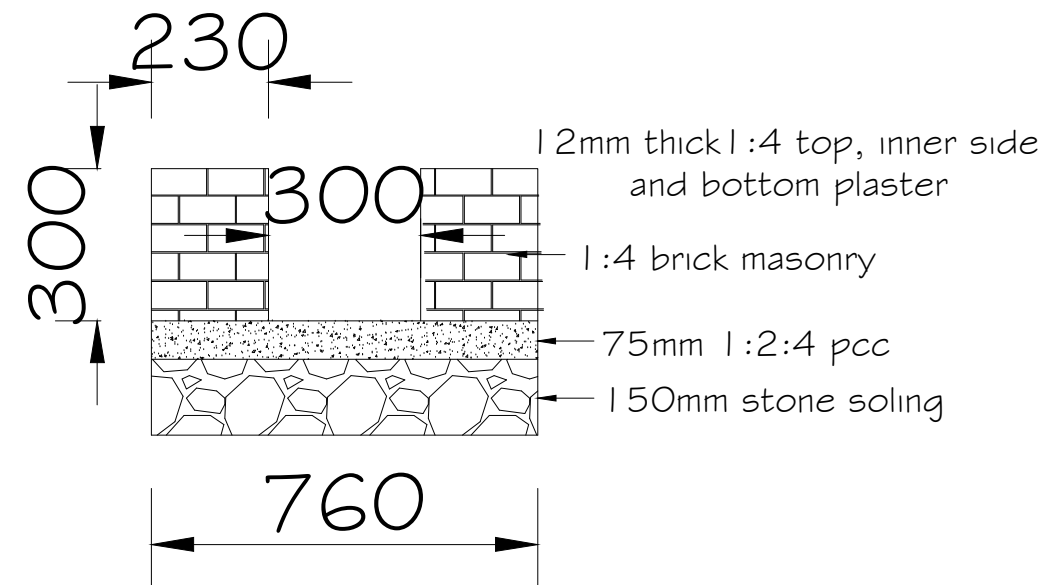


Section at X-X  
(Scale - 1:100)

<p>CLIENT: NEPAL ELECTRICITY AUTHORITY</p>	<p>TITLE: SIDES ELEVATION</p>	<p>DRAWN BY:</p>	<p>APPROVED BY:</p>	<p>SCALE:-1:100 ALL DIMENSION ARE IN MM</p>	<p>DWG NO:</p>
<p>PROJECT: HETAUDA-DHALKEBAR-INARUWA 400 KV SUBSTATION EXPANSION PROJECT</p>	<p>WORK NAME: CONSTRUCTION OF 3 STOREY STAFF QUARTER BUILDING</p>				



ROAD SIDE DRAIN



APRON DRAIN



CLIENT:  
NEPAL ELECTRICITY AUTHORITY

TITLE: BOUNDARY WALL AND DRAIN

DRAWN BY:

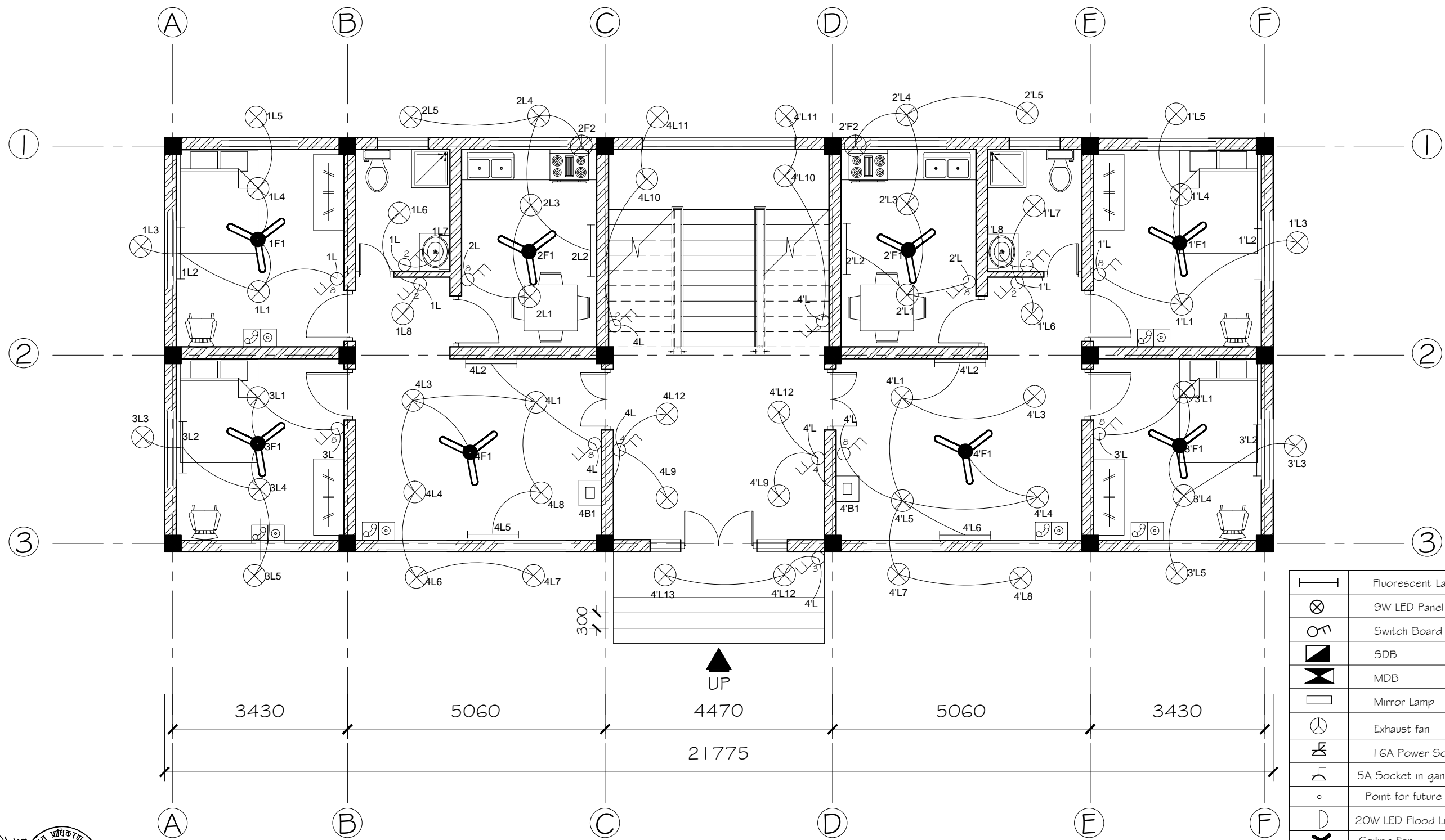
APPROVED BY:

PROJECT:  
HETAUDA-DHALKEBAR-INARUWA 400 KV  
SUBSTATION EXPANSION PROJECT

WORK NAME:  
CONSTRUCTION OF 3 STOREY STAFF  
QUARTER BUILDING

SCALE:-1:100  
ALL DIMENSION  
ARE IN MM

DWG NO:

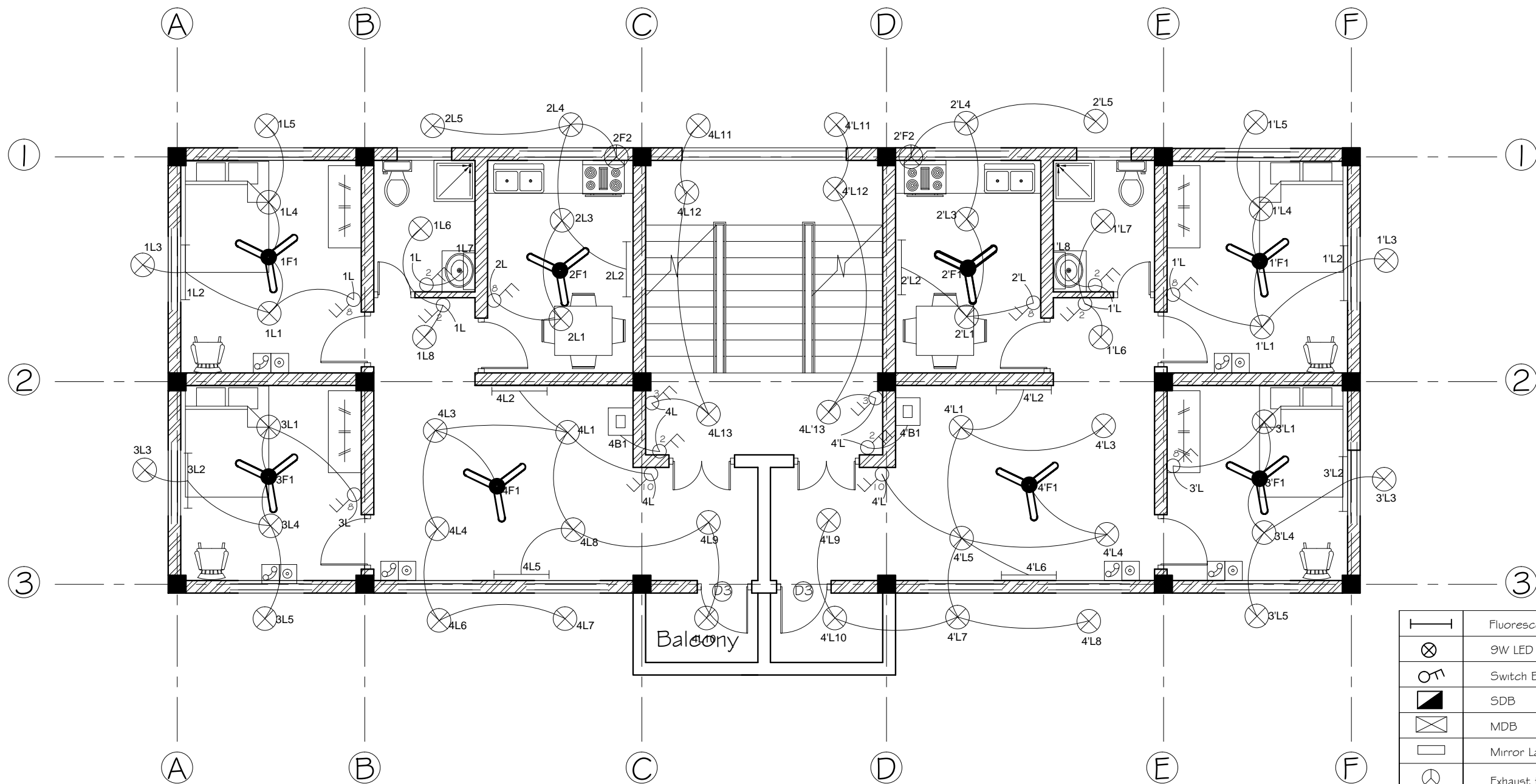


Ground Floor Plan  
(Scale - 1:100)

	Fluorescent Lamp
	9W LED Panel Light
	Switch Board
	SDB
	MDB
	Mirror Lamp
	Exhaust fan
	1 GA Power Socket
	5A Socket in gang switch
	Point for future use
	20W LED Flood Light
	Ceiling Fan
	Telephone and Television Socket



CLIENT: NEPAL ELECTRICITY AUTHORITY	TITLE: ILLUMINATION DRAWING LIGHTING AND FAN DETAIL	DRAWN BY:	APPROVED BY:	SCALE:-1:100 ALL DIMENSION ARE IN MM	DWG NO:
PROJECT: HETAUDA-DHALKEBAR-INARUWA 400 KV SUBSTATION EXPANSION PROJECT	WORK NAME: CONSTRUCTION OF 3 STOREY STAFF QUARTER BUILDING				



First Floor Plan  
(Scale - 1:100)

	Fluorescent Lamp
	9W LED Panel Light
	Switch Board
	SDB
	MDB
	Mirror Lamp
	Exhaust fan
	1 GA Power Socket
	5A Socket in gang switch
	Point for future use
	20W LED Flood Light
	Ceiling Fan
	Telephone and Television Socket



CLIENT:  
NEPAL ELECTRICITY AUTHORITY

TITLE: ILLUMINATION DRAWING  
LIGHTING AND FAN DETAIL

DRAWN BY:

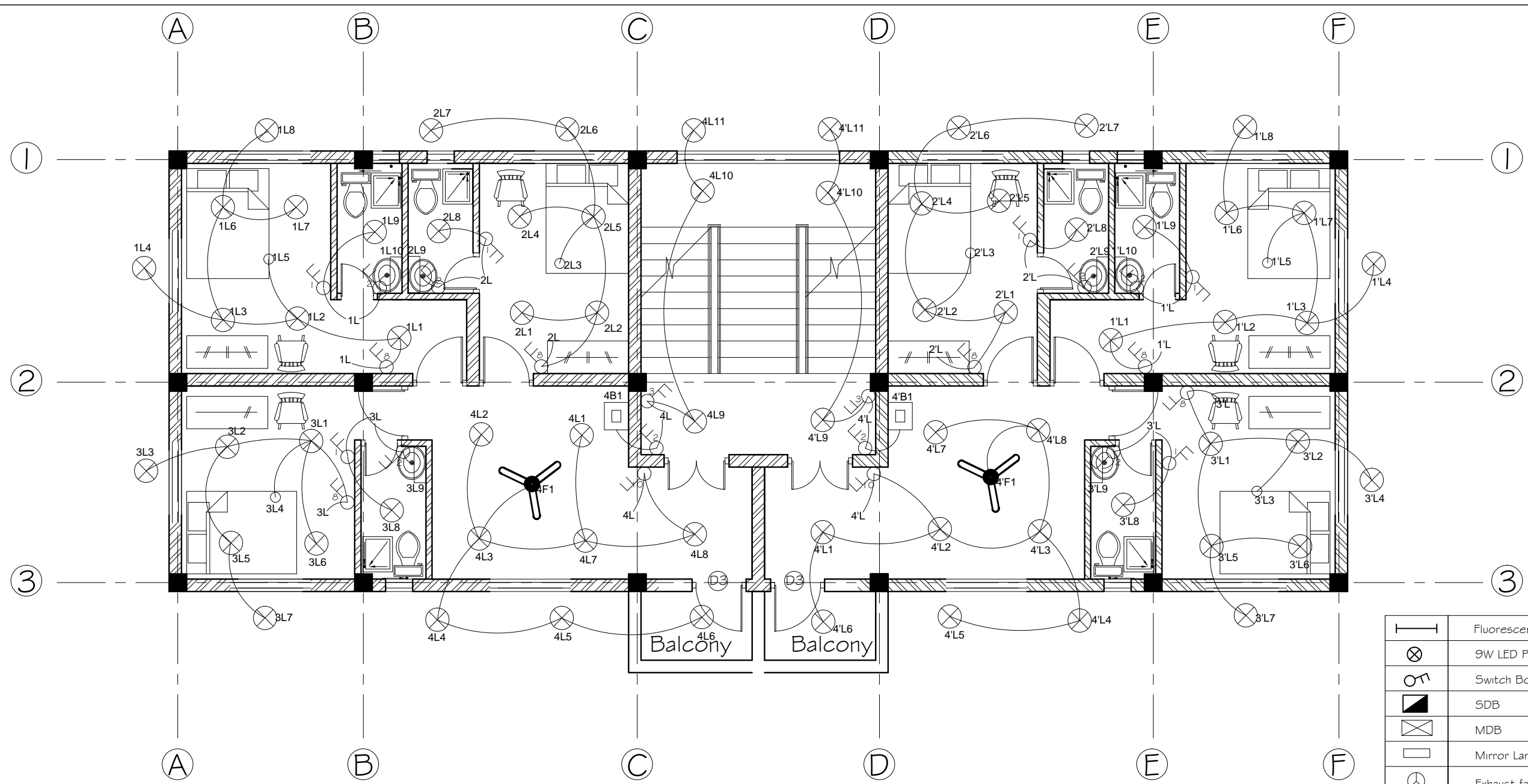
APPROVED BY:

PROJECT:  
HETAUDA-DHALKEBAR-INARUWA 400 KV  
SUBSTATION EXPANSION PROJECT

WORK NAME:  
CONSTRUCTION OF 3 STOREY STAFF  
QUARTER BUILDING

SCALE:-1:100  
ALL DIMENSION  
ARE IN MM

DWG NO:

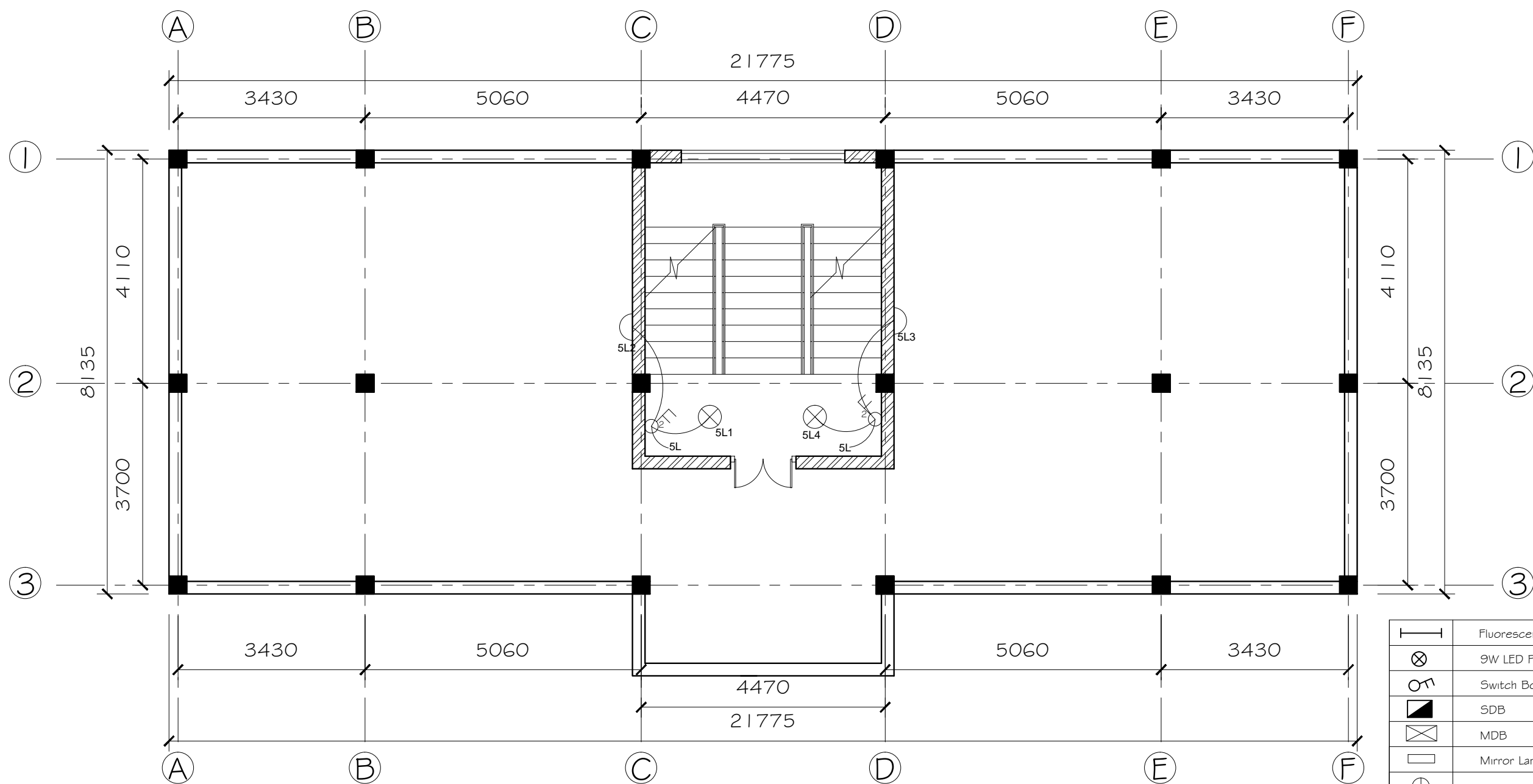


Guest-house Area  
Second Floor Plan  
(Scale - 1:100)

	Fluorescent Lamp
	9W LED Panel Light
	Switch Board
	SDB
	MDB
	Mirror Lamp
	Exhaust fan
	1 GA Power Socket
	5A Socket in gang switch
	Point for future use
	20W LED Flood Light
	Ceiling Fan
	Telephone and Television Socket



<b>CLIENT:</b> NEPAL ELECTRICITY AUTHORITY	<b>TITLE:</b> ILLUMINATION DRAWING LIGHTING AND FAN DETAIL	<b>DRAWN BY:</b>	<b>APPROVED BY:</b>	SCALE:-1:100 ALL DIMENSION ARE IN MM	<b>DWG NO.:</b>
<b>PROJECT:</b> HETAUDA-DHALKEBAR-INARUWA 400 KV SUBSTATION EXPANSION PROJECT	<b>WORK NAME:</b> CONSTRUCTION OF 3 STOREY STAFF QUARTER BUILDING				

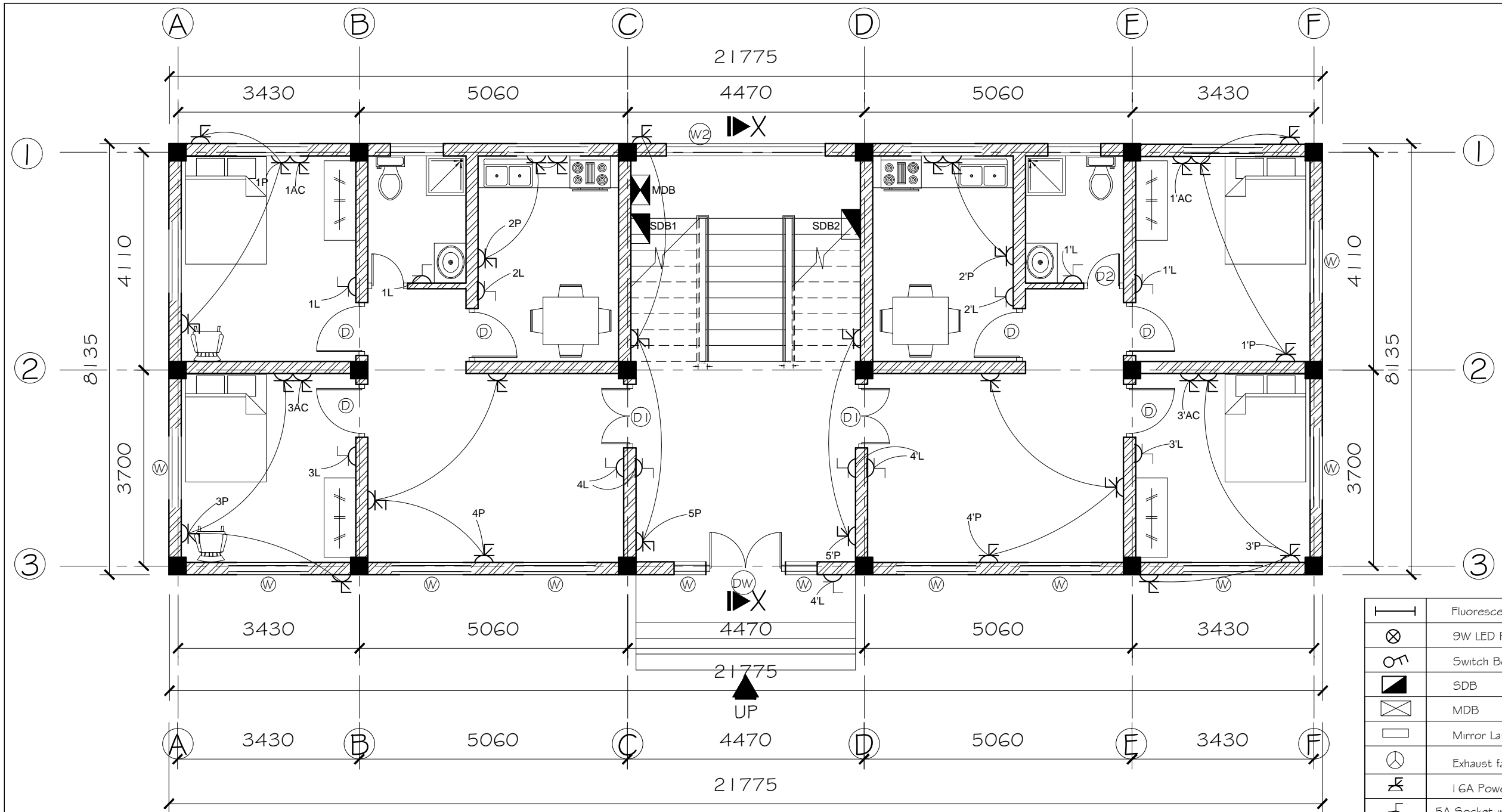


Top/Roof Plan  
(Scale - 1:100)



	Fluorescent Lamp
	9W LED Panel Light
	Switch Board
	SDB
	MDB
	Mirror Lamp
	Exhaust fan
	1 GA Power Socket
	5A Socket in gang switch
	Point for future use
	20W LED Flood Light
	Ceiling Fan
	Telephone and Television Socket

CLIENT: NEPAL ELECTRICITY AUTHORITY	TITLE: ILLUMINATION DRAWING LIGHTING AND FAN DETAIL	DRAWN BY:	APPROVED BY:	SCALE:-1:100 ALL DIMENSION ARE IN MM	DWG NO:
PROJECT: HETAUDA-DHALKEBAR-INARUWA 400 KV SUBSTATION EXPANSION PROJECT	WORK NAME: CONSTRUCTION OF 3 STOREY STAFF QUARTER BUILDING				

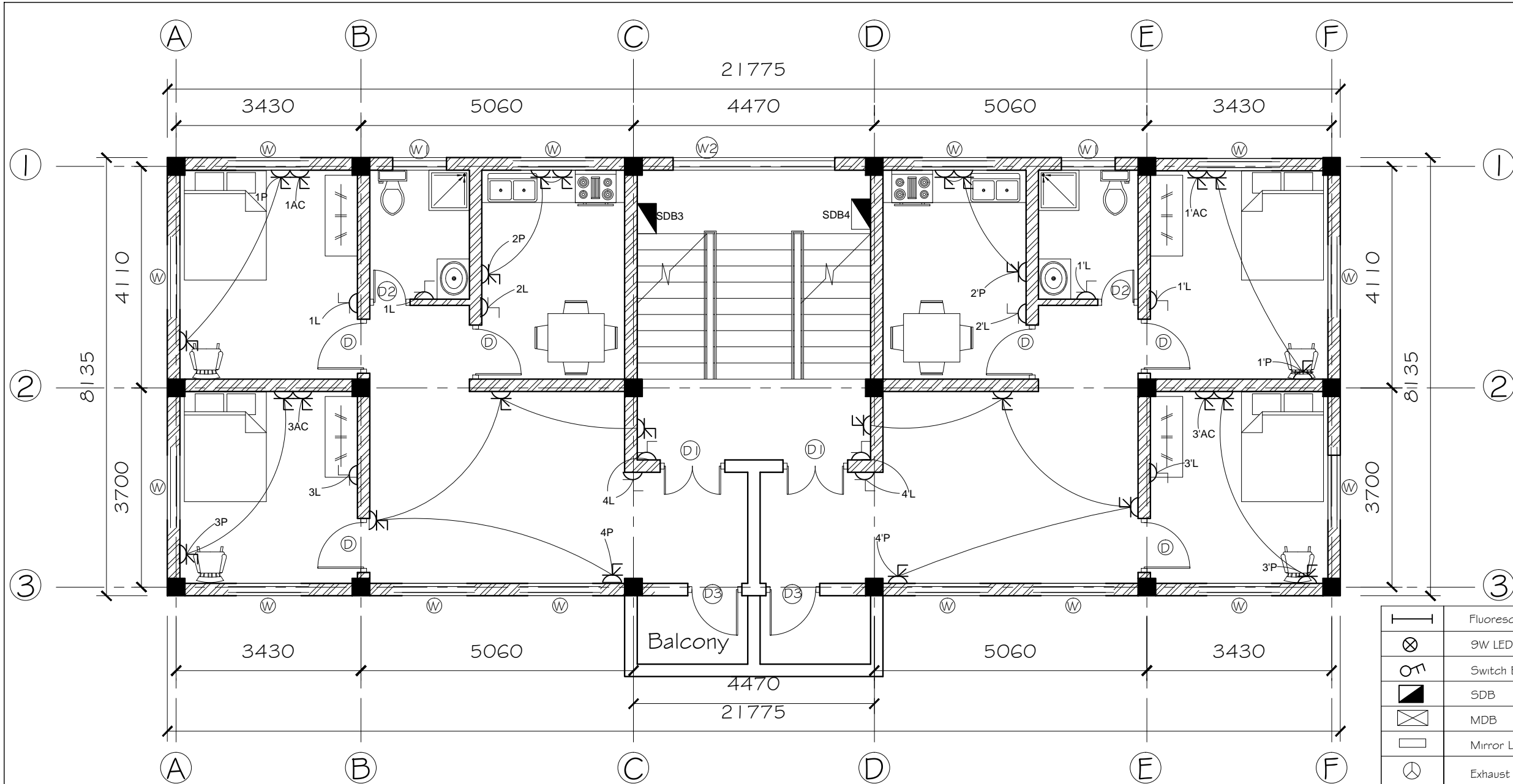


Ground Floor Plan  
(Scale - 1:100)

	Fluorescent Lamp
	9W LED Panel Light
	Switch Board
	SDB
	MDB
	Mirror Lamp
	Exhaust fan
	1 GA Power Socket
	5A Socket in gang switch
	Point for future use
	20W LED Flood Light
	Ceiling Fan
	Telephone and Television Socket



CLIENT: NEPAL ELECTRICITY AUTHORITY	TITLE: ILLUMINATION DRAWING POWER SOCKET DETAIL	DRAWN BY:	APPROVED BY:	SCALE:-1:100 ALL DIMENSION ARE IN MM	DWG NO:
PROJECT: HETAUDA-DHALKEBAR-INARUWA 400 KV SUBSTATION EXPANSION PROJECT	WORK NAME: CONSTRUCTION OF 3 STOREY STAFF QUARTER BUILDING				

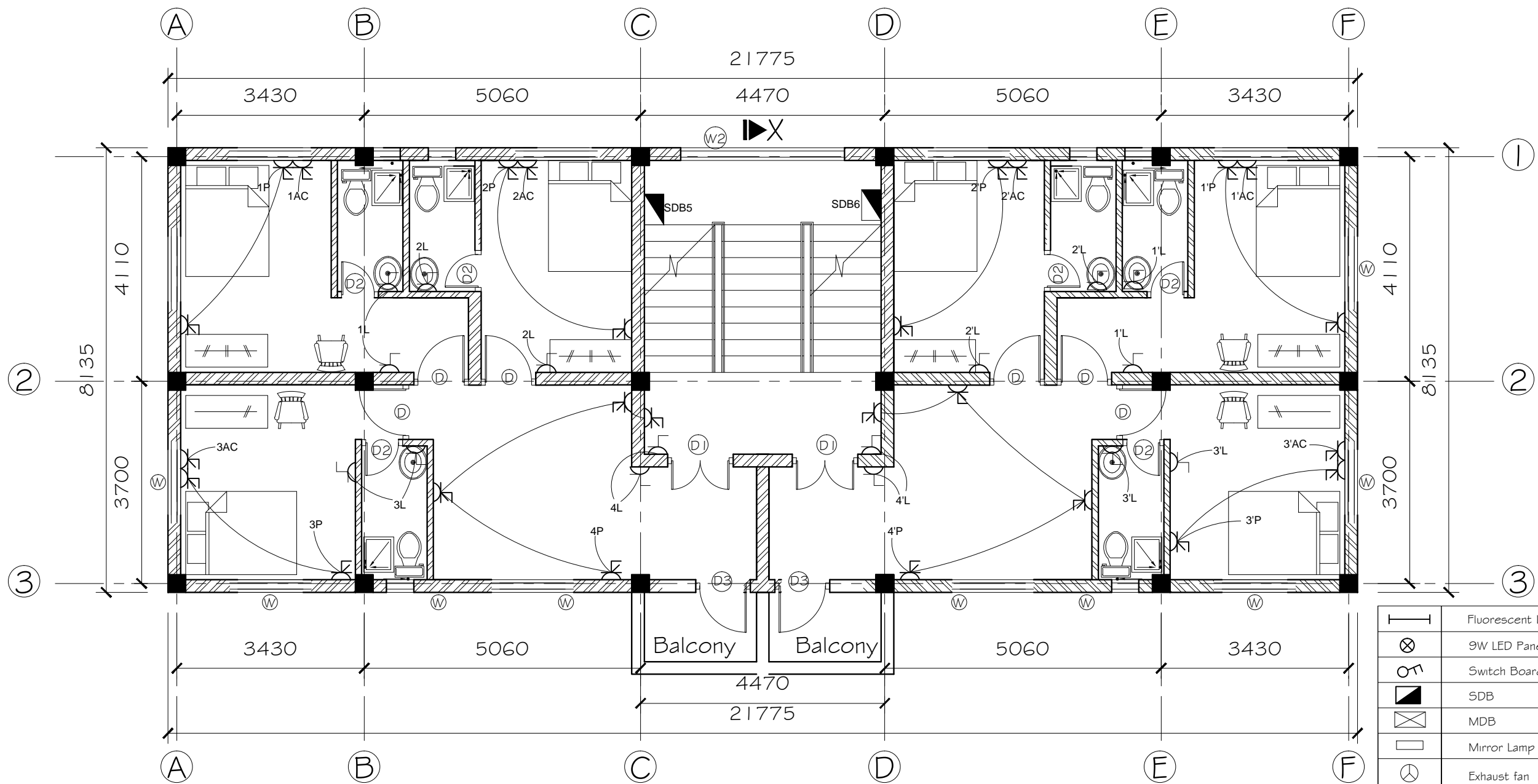


First Floor Plan  
(Scale - 1:100)

	Fluorescent Lamp
	9W LED Panel Light
	Switch Board
	SDB
	MDB
	Mirror Lamp
	Exhaust fan
	1 GA Power Socket
	5A Socket in gang switch
	Point for future use
	20W LED Flood Light
	Ceiling Fan
	Telephone and Television Socket



CLIENT: NEPAL ELECTRICITY AUTHORITY	TITLE: ILLUMINATION DRAWING POWER SOCKET DETAIL	DRAWN BY:	APPROVED BY:	SCALE:-1:100 ALL DIMENSION ARE IN MM	DWG NO.:
PROJECT: HETAUDA-DHALKEBAR-INARUWA 400 KV SUBSTATION EXPANSION PROJECT	WORK NAME: CONSTRUCTION OF 3 STOREY STAFF QUARTER BUILDING				

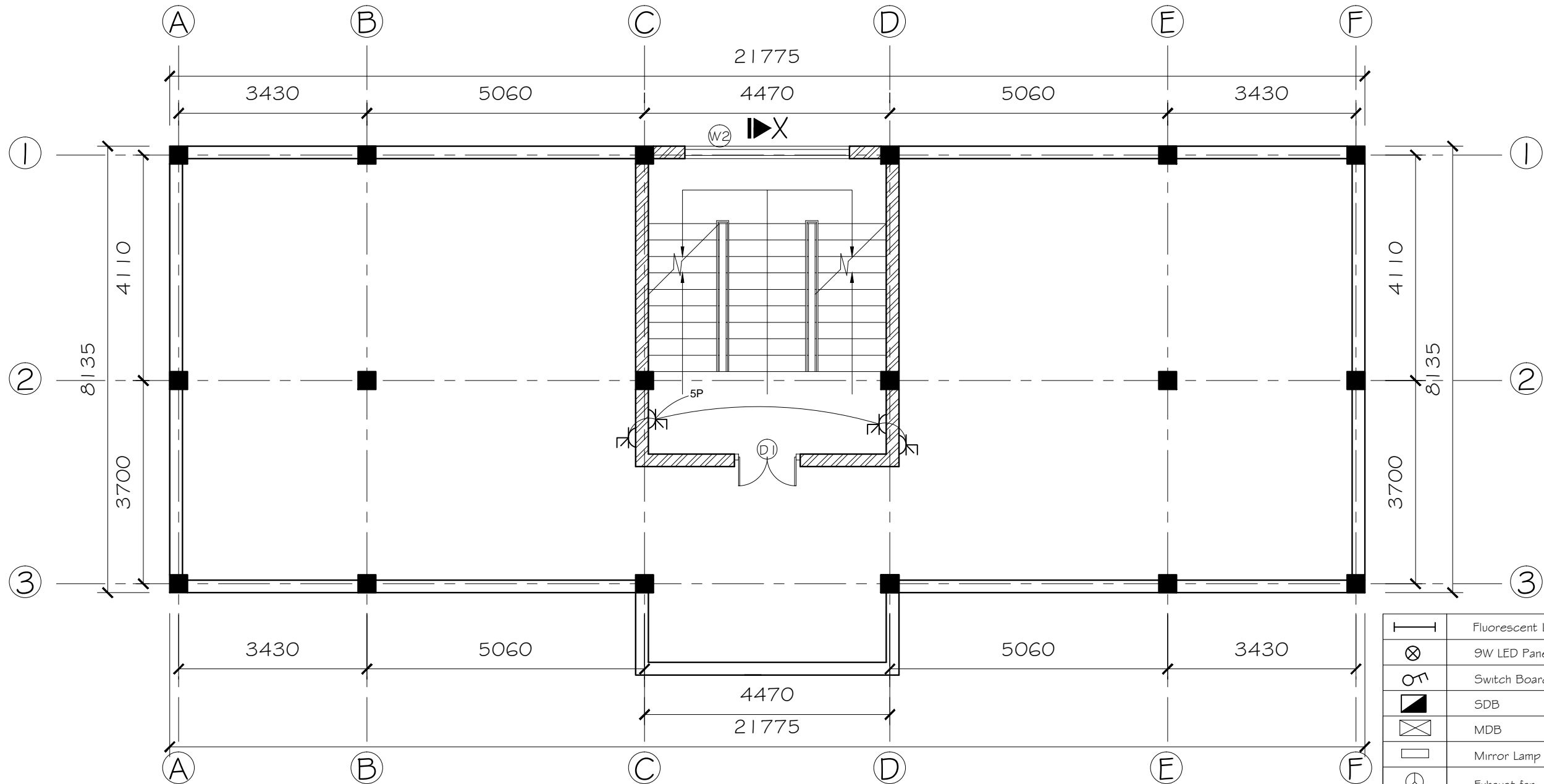


Guest-house Area  
Second Floor Plan  
(Scale - 1:100)

	Fluorescent Lamp
	9W LED Panel Light
	Switch Board
	SDB
	MDB
	Mirror Lamp
	Exhaust fan
	1 GA Power Socket
	5A Socket in gang switch
	Point for future use
	20W LED Flood Light
	Ceiling Fan
	Telephone and Television Socket



CLIENT: NEPAL ELECTRICITY AUTHORITY	TITLE: ILLUMINATION DRAWING POWER SOCKET DETAIL	DRAWN BY:	APPROVED BY:	SCALE:-1:100 ALL DIMENSION ARE IN MM	DWG NO:
PROJECT: HETAUDA-DHALKEBAR-INARUWA 400 KV SUBSTATION EXPANSION PROJECT	WORK NAME: CONSTRUCTION OF 3 STOREY STAFF QUARTER BUILDING				

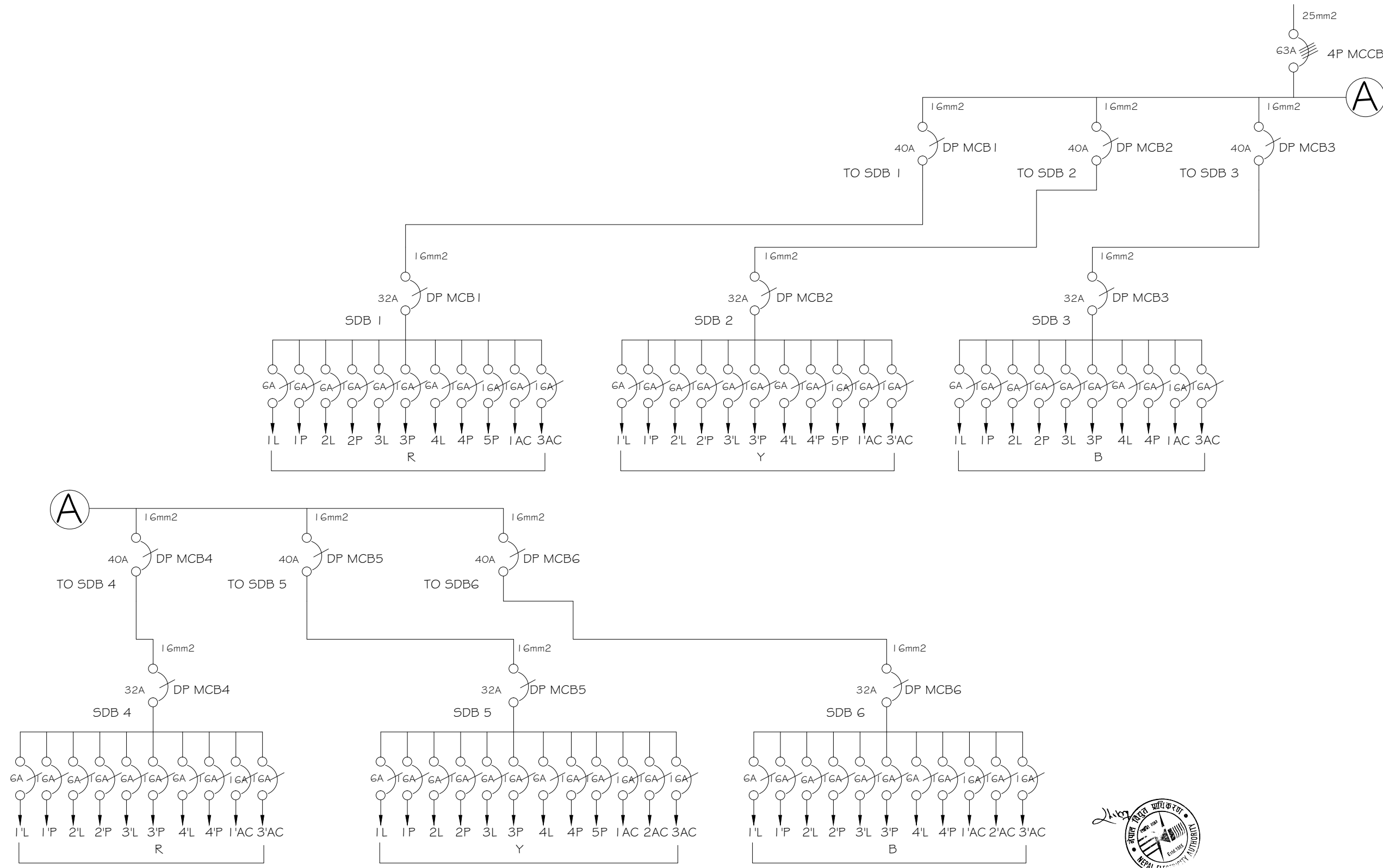


Top/Roof Plan  
(Scale - 1:100)

	Fluorescent Lamp
	9W LED Panel Light
	Switch Board
	SDB
	MDB
	Mirror Lamp
	Exhaust fan
	1 GA Power Socket
	5A Socket in gang switch
	Point for future use
	20W LED Flood Light
	Ceiling Fan
	Telephone and Television Socket



CLIENT: NEPAL ELECTRICITY AUTHORITY	TITLE: ILLUMINATION DRAWING POWER SOCKET DETAIL	DRAWN BY:	APPROVED BY:	SCALE:-1:100 ALL DIMENSION ARE IN MM	DWG NO:
PROJECT: HETAUDA-DHALKEBAR-INARUWA 400 KV SUBSTATION EXPANSION PROJECT	WORK NAME: CONSTRUCTION OF 3 STOREY STAFF QUARTER BUILDING				



<b>CLIENT:</b> NEPAL ELECTRICITY AUTHORITY	<b>TITLE:</b>	<b>DRAWN BY:</b>	<b>APPROVED BY:</b>	<b>SCALE:-1:100</b> <b>ALL DIMENSION</b> <b>ARE IN MM</b>	<b>DWG NO.:</b>
<b>PROJECT:</b> HETAUDA-DHALKEBAR-INARUWA 400 KV SUBSTATION EXPANSION PROJECT	<b>WORK NAME:</b> CONSTRUCTION OF 3 STOREY STAFF QUARTER BUILDING				